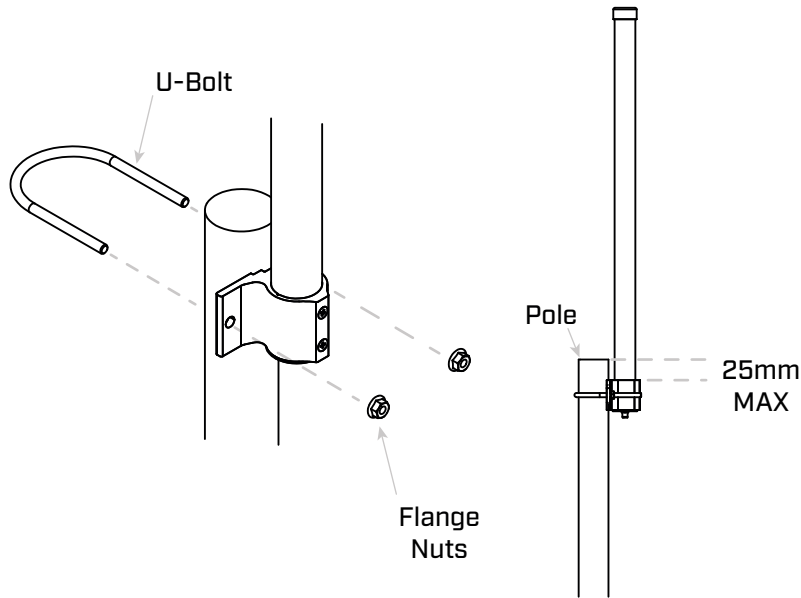
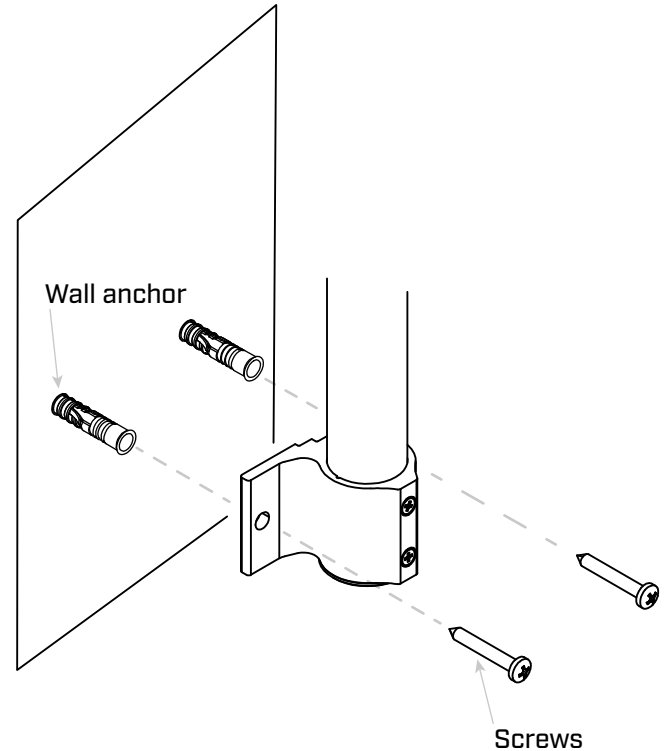


Mast/Pole mounting



Place the antenna against the tip of the pole. Attach the U-Bolt to the pole and place it through the mounting holes of the antenna. Use the included Flange Nuts to secure the antenna in position. Compatible with pole sizes from 25-50mm. Best performance will be achieved if antenna is mounted less than 25mm from the top of the pole.

Wall mounting



Place the antenna against the wall, mark the mounting holes. Put down the antenna and drill two 4mm holes, press the wall anchors in them. Place the antenna and fix the screws. Best performance will be achieved if antenna is mounted less than 25mm from the top of the wall.