

# netPower Lite 7R

An outdoor reverse PoE switch with Gigabit Ethernet and 10G SFP+ ports.  
Cut costs, not speed – choose GPEN over GPON!



7 REVERSE POE GIGABIT ETHERNET PORTS



DURABLE OUTDOOR ENCLOSURE



DC JACK & 2-PIN TERMINAL FOR  
ALTERNATIVE POWERING



CAN BE POWERED BY A BATTERY

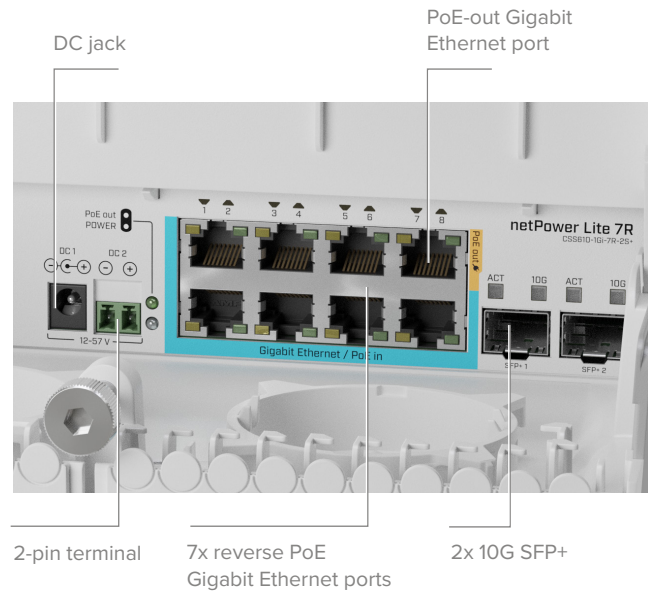


2X 10G SFP + PORTS



DELIVER HIGH SPEED INTERNET TO  
INDIVIDUAL APARTMENTS

With netPower Lite 7R switch you can forget about expensive GPON base stations and optical splitters. This switch is a part of our GPEN concept – aimed to bring the speed and versatility of fiber networking while using the advantages of Ethernet. It is an easy to deploy, low-cost way for any ISP to deliver the Internet to individual apartments.



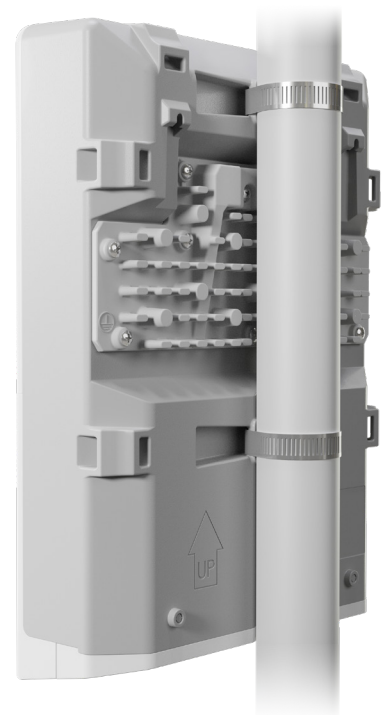
**This version of the innovative netPower switches features 8 PoE Gigabit Ethernet ports and 2 SFP+ ports for 10G fiber connectivity.**

With this switch you won't have to worry about power issues, as there are many options. netPower Lite 7R has 7 reverse PoE ports. Depending on your setup, netPower can draw the necessary power even from a single client! Ethernet port 8 can power other PoE capable devices with the same voltage as applied to the unit. There is also a DC jack and a 2-pin terminal for alternative powering.

**netPower Lite 7R**  
– highest efficiency for the lowest cost!

The outdoor enclosure allows you to install this switch in all kinds of environments – from damp attics to elevator shafts and different poles with hose clamps.

netPower Lite 7R has a non-blocking throughput of 28 Gbps, switching capacity of 56 Gbps and forwarding rate of 41.7 Mpps.



## Specifications

Product code	CSS610-1Gi-7R-2S+OUT
Number of 1G Ethernet ports	8
Number of 10G SFP+ ports	2
Operating system	SwOS
Dimensions	304 x 212 x 71 mm
Operating temperature	-40°C to +70°C tested

## Powering

PoE-in	Passive PoE
PoE-in input voltage	12-57 V
PoE-out ports	Ether8
Max out per port output (input < 30 V)	600 mA
Max out per port output (input > 30 V)	450 mA
Number of DC inputs	9 (7x PoE-in, 2-pin terminal, DC jack)
DC jack input voltage	12-57 V
2-pin terminal input voltage	12-57 V
Max power consumption without attachments	7 W
Max power consumption	29 W

## Certification & Approvals

Certification	FCC, IC, CE
---------------	-------------

## Included parts



2x hose clamps



K-66 fastening set