

Operating With Imou App

Step 1

Scan the following QR code or search "Imou" in Google Play or App Store to download and install Imou App.



Step 2

Run Imou App, and then register an account for first use.

Step 3

Connect the camera to power source with the power adapter.

Step 4

Wait for booting to be finished, and then the camera indicator flashes with green light.

Step 5

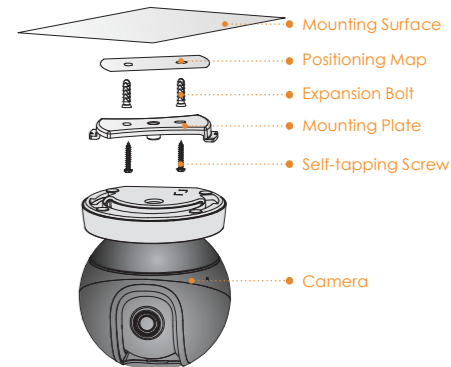
Connect your smart phone to your Wi-Fi network, and make sure your smartphone is connected to Wi-Fi network with 2.4 GHz band, and then do the following operations to finish adding camera.



- Note:**
- If you have more than one camera, do step 5 to add them one by one.
 - If the Wi-Fi network changed or the indicator status goes wrong, reset the camera, and then do step 5 to add it again.

Installing Camera

Note: Make sure the mounting surface is strong enough to hold at least three times of the device weight.



- Step1** Drill screw holes on the mounting surface as the mounting plate shows, and then put in the expansion bolts.
- Step2** Attach the mounting plate to the mounting surface with the self-tapping screws.
- Step3** Attach the camera to the mounting plate, then power it up, and then, adjust the lens to the ideal angle.

About the Guide

- This quick start guide is for reference only. Minor difference might be found in user interface.
- All the design and software here are subject to change without prior written notice.
- All trademarks and registered trademarks mentioned are the properties of their respective owners.
- Please visit our website or contact your local service engineer for more information.
- If there is any uncertainty or controversy, please refer to our final explanation.



Quick Start Guide

Version 1.0.1



Packing List



Camera x1



Power Cable x1



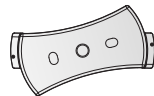
Power Adapter x1



QSG x1



Screw Package x1

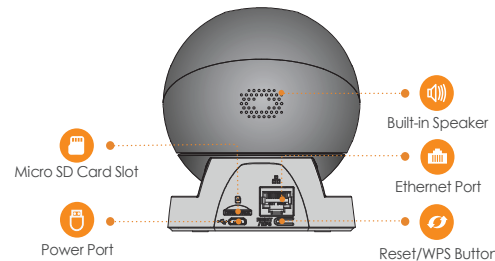
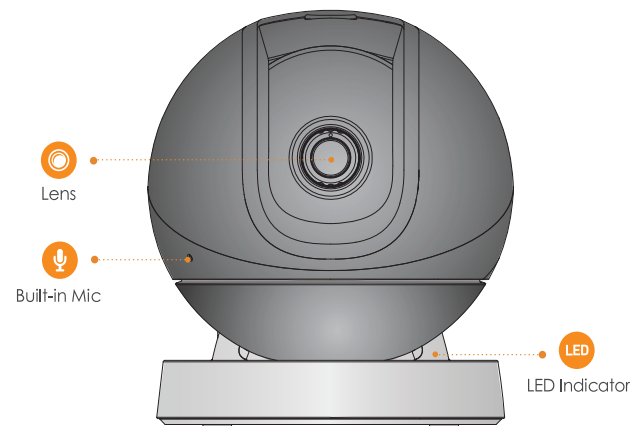


Mounting Plate x1



Positioning Map x1

Camera Introduction



Note: Press the Reset/WPS button to enable WPS.
Press and hold the Reset/WPS button for 10 s to reset the camera.

The pattern of the LED indicator is included in the following table.

LED Indicator Status	Device Status
Off	<ul style="list-style-type: none">Powered off/LED turned offRebooting after reset
Red light on	<ul style="list-style-type: none">BootingDevice malfunction
Green light flashing	Waiting for network
Green light on	Operating properly
Red light flashing	Network connection failed
Green and Red light flashing alternately	Firmware updating