



PCE-AXE5400

WiFi 6E PCIe Adapter

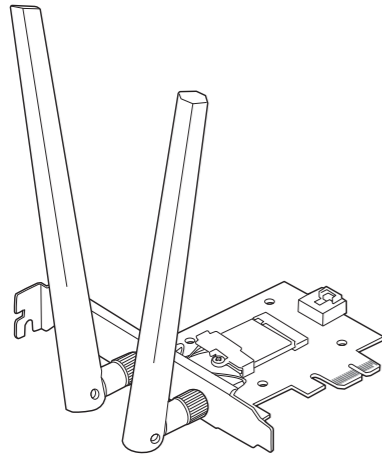
(For 802.11 a/b/g/n/ac/ax Wireless Networks)

WiFi 6E PCIe 無線網路卡

(用於802.11 a/b/g/n/ac/ax 無線網路)

WiFi 6E PCIe 无线网卡

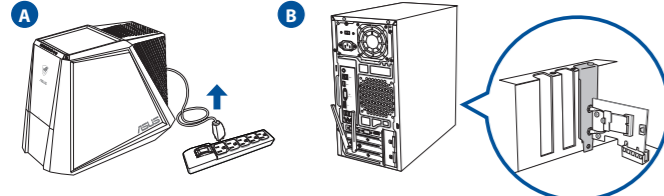
(用于802.11 a/b/g/n/ac/ax 无线网路)



Quick Start Guide Kullanım Klavuzu

Setting up a Home Network

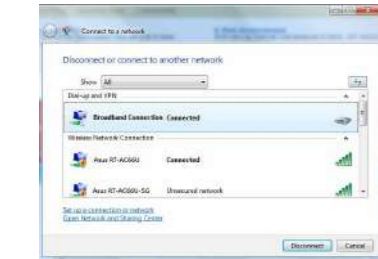
1. Turn off your computer, unplug the power cord, and open the system cover. Insert the PCE-AXE5400 wireless adapter onto the PCI Express x1 slot, and ensure that it is seated completely.



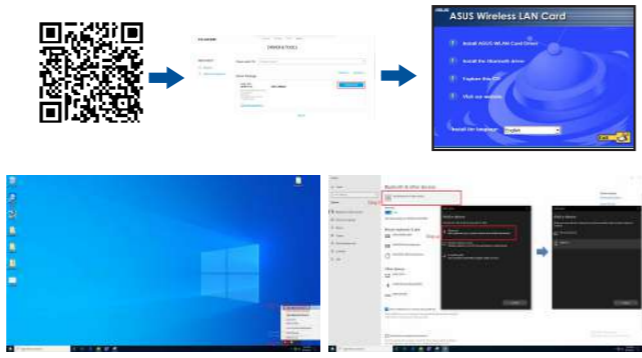
2. Scan the QR code below or download the PCE-AXE5400 driver from the website (asus.click/PCE-AXE5400_Driver), then follow the onscreen instructions to complete the Wi-Fi installation.



3. When the setup is complete, connect your desktop PC to the Internet wirelessly via PCE-AXE5400.



4. Connect one end of the bundled USB cable to the USB port on PCE-AXE5400 and the other end to the F_USB connector on the motherboard. Scan the QR code below or download the PCE-AXE5400 driver from the website (asus.click/PCE-AXE5400_Driver), then follow the onscreen instructions to complete the Bluetooth installation.



English
1. Turn off your computer, unplug the power cord, and open the system cover. Insert the PCE-AXE5400 wireless adapter onto the PCI Express x1 slot, and ensure that it is seated completely.
2. Scan the QR code below or download the PCE-AXE5400 driver from the website (asus.click/PCE-AXE5400_Driver), then follow the onscreen instructions to complete the Wi-Fi installation.

Dansk
1. Sluk din computer, træk stikket ud af stikkontakten og åbn systembeslaget. Slut den trådløse adapter PCE-AXE5400 til stikket PCI Express x1, og sørg for at det sidder godt.

Norsk
1. Slå av datamaskinen, koble fra strømledningen, og åpne systemdekslet. Sett PCE-AXE5400-trådløseadapteren inn i PCI Express x1-sporet, og sørg for at det sitter godt.

Svenska
1. Stäng av datorn, dra ut sladden ur uttaget och öppna systemets lucka. Sätt i den trådlösa PCE-AXE5400-adaptorn i PCI Express x1-facket, och se till att den sitter i helt.

Tiếng Việt
1. Tắt máy tính, ngắt dây nguồn và mở nắp vỏ máy. Lắp card không dây PCE-AXE5400 vào 1 khe cắm PCI Express và đảm bảo nó được lắp khít hoàn toàn.

Bahasa Malayu
1. Matikan komputer anda, cabut palam kord kuasa dan buka penutup sistem. Masukkan penyusul wayarles PCE-AXE5400 ke slot PCI Express x1 dan pastikan bahawa ia dimasukkan sepenuhnya.

Français
1. Éteignez votre ordinateur, débranchez le câble d'alimentation et ouvrez le boîtier. Insérez l'adaptateur Wi-Fi du PCE-AXE5400 dans le slot PCI Express x1 jusqu'à ce qu'il soit bien en place.

Deutsch
1. Schalten Sie Ihren Computer aus, ziehen Sie das Netzkabel heraus und öffnen die Systemabdeckung. Setzen Sie den PCE-AXE5400 WLAN-Adapter in den PCI Express x1 Steckplatz ein und achten Sie darauf, dass er vollständig steckt.

Italiano
1. Spegnere il computer, scollegare il cavo di alimentazione e aprire il coperchio del sistema. Inserire l'adattatore wireless PCE-AXE5400 nello slot PCI Express x1 e assicurarsi che sia inserito completamente.

Setting up a Home Network

Lietuvių
1. Išjunkite kompiuterį, atjunkite maitinimo kabelį ir atidarykite sistemos dangtį. Prijunkite belaidį adapterį „PCE-AXE5400“ prie „PCI Express“ lizdo „x1“ ir įsitikinkite, ar jis tinkamai prijungtas.

Latviski
1. Izslēdziet datoru, izveiciet strāvas vadu un atveriet sistēmas pārsegu. Ievietojiet PCE-AXE5400 bezvadu adapteri PCI Express x1 slotā un pārliecinieties, vai tas ir pilnībā ievietots.

Portugués
1. Desligue o seu computador e o cabo de alimentação e abra a tampa do sistema. Insira o adaptador sem fios PCE-AXE5400 na ranhura PCI Express x1, e certifique-se de que está corretamente encaixado.

Română
1. Opriți computerul, deconectați cablul de alimentare și deschișiți capacul sistemului. Introduceți adaptorul wireless PCE-AXE5400 în fanta PCI Express x1 și asigurați-vă că este fixat complet.

Polski
1. Wyłącz komputer, odłącz przewód zasilający i otwórz pokrywe systemu. Włóż kartę sieci bezprzewodowej PCE-AXE5400 do gniazda PCI Express x1 i upewnij się, że została prawidłowo osadzona.

Español
1. Apague el equipo, desenchufe el cable de alimentación y abra la tapa del sistema. Inserte el adaptador inalámbrico PCE-AXE5400 en la ranura PCI Express x1 y asegúrese de que está asentado completamente.

Українська
1. Вимкніть комп'ютер, вийміть з розетки шнур живлення і відкрийте корпус. Вставте бездротовий адаптер PCE-AXE5400 до отвору PCI Express x1 і переконайтеся, що він повністю став на місце.

Nederlands
1. Schakel uw computer uit, koppel de voedingskabel los en open het deksel van het systeem. Stop de draadloze PCE-AXE5400-adapter in de PCI Express x1-sleuf en controleer of deze stevig is aangesloten.

Ελληνικά
1. Απενεργοποιήστε τον υπολογιστή σας, βγάλτε το καλώδιο από την πρίζα και ανοίξτε το κάλυμμα του συστήματος. Συνδέστε τον ασύρματο προσαρμογέα PCE-AXE5400 στην υποδοχή PCI Express x1 και βεβαιωθείτε ότι έχει συνδεθεί σωστά.

한국어
1. 컴퓨터를 끄고 전원 코드를 뽑은 후 시스템 커버를 엽니다. PCE-AXE5400 무선 어댑터를 PCI Express x1 슬롯에 끼우고 완전히 끼워졌는지 확인하십시오.

Srpski
1. Isključite kompjuter, izvučite kabl za struju i otvorite poklopac sistema. Ubacite PCE-AXE5400 bežični adapter u prorez za PCI Express x1 i proverite da je potpuno ušao.

日本語
1. コンピュータの電源をオフにし、電源ケーブルをコンセントから抜き、カバーを取り外します。PCE-AXE58BTをPCI Express x1 スロットへ確実に固定できるように取り付けます。

Русский
1. Выключите компьютер, отсоедините кабель питания и откройте крышку системы. Вставьте беспроводной адаптер PCE-AXE5400 в слот PCI Express x1 и убедитесь, что он правильно установлен.

Eesti
1. Lülitage arvuti välja, eemaldage toitejuhe ja avage seadme kaas. Paange kardipulssu PCI Express x1 juhtmeta võrgu kaart PCE-AXE5400 ja kontrollige, et see on pesas nõuetekohaselt.

Magyar
1. Kacsolja ki a számítógépet, húzza ki a tápkábelt, és nyissa ki a renszder fedelet. Helyezze be a PCE-AXE5400 vezeték nélküli adaptert a PCI Express (x1) nyílásba, és ellenőrizze, hogy megfelelően illeszkedik.

Slovensky
1. Izklopite računalnik, izkjučite napajalni kabel in odprite pokrov sistema. Brežični adapter PCE-AXE5400 vstavite v rezo PCI Express x1 in poizkujte, da bo dobro vstavljen.

Čeština
1. Vypněte počítač, odpojte napájecí kabel a otevřete kryt systému. Vložte bezdrátový adaptér PCE-AXE5400 do slotu PCI Express x1 a ujistěte se, že je zcela zastrčen.

Suomi
1. Kytke tietokone pois päältä, irrota virtajohto ja avaa järjستelmän kansi. Liitä langaton PCE-AXE5400 -sovitin PCI Express x1 -paikkaan ja varmista, että se on kokonaan paikoillaan.

Български
1. Изключете компютъра си, извадете захранващия кабел от контакта и отворете капака на системата. Вкарайте безжичния адаптер PCE-AXE5400 в гнездото PCI Express x1, като се уверите, че влиза докрай.

Bahasa Indonesia
1. Matikan komputer, lepas kabel daya, lalu buka penutup sistem. Pasang adapter nirkabel PCE-AXE5400 ke slot PCI Express x1, lalu pastikan adapter telah terpasang dengan benar.

ไทย
1. ปิดคอมพิวเตอร์ ถอดปลั๊กไฟ และเปิดฝาครอบระบบ ติดแบบถอดเองไร้สาย PCE-AXE5400 เข้าไปในสล๊อต PCI Express x1 และตรวจสอบให้แน่ใจว่าแน่นสนิท

越南語
1. Tắt máy tính, ngắt dây nguồn và mở nắp vỏ máy. Lắp card không dây PCE-AXE5400 vào 1 khe cắm PCI Express và đảm bảo nó được lắp khít hoàn toàn.

Türkçe
1. Bilgisayarınızı kapatın, güç kablosunu çıkarın ve sistem kapağını açın. PCE-AXE5400 kablosuz adaptörünüzü PCI Express x1 yuvasına takın ve tamamen oturduğundan emin olun.

繁體中文
1. 關閉電腦、拔除電源線，並打開機殼後蓋。將 PCE-AXE5400 無線網路卡插入 PCI Express x1 插槽，並請確認無線網路卡已完全插入插槽。

简体中文
1. 关闭电脑、拔除电源线，并打开机壳后盖。将 PCE-AXE5400 无线网卡插入 PCI Express x1 插槽，并请确认无线网卡已完全插入插槽。

Hrvatski

- Izključite računalo, iskopčajte kabel za napajanje i otvorite poklopac sustava. Umetnite bežični adapter PCE-AXE5400 u PCI Express x1 otvor i provjerite je li pravilno i čvrsto smješten.
- Skenirajte donji QR kod ili preuzmite upravljački program za PCE-AXE5400 s web-stranice (asus.click/PCE-AXE5400_Driver), zatim slijedite upute na zaslonu za dovršenje instalacije Wi-Fi-a.
- Kada instalacija završi, povežite računalo s internetom bežičnom vezom preko PCE-AXE5400.
- Spojite jedan kraj isporučenog USB kabela na USB priključak na PCE-AXE5400, a drugi spojite na F_USB priključak na matičnoj ploči. Skenirajte donji QR kod ili preuzmite upravljački program za PCE-AXE5400 s web-stranice (asus.click/PCE-AXE5400_Driver), zatim slijedite upute na zaslonu za dovršenje instalacije Wi-Fi-a.

Slovenščina

- Izklopite računalnik, izključite napajalni kabel in odprite pokrov sistema. Brežžični adapter PCE-AXE5400 vstavite v režo PCI Express x1 in poskrbite, da bo dobro vstavljen.
- Skenirajte spodnjo kodo QR ali gonilnik PCE-AXE5400 prenesite s spletnega mesta (asus.click/PCE-AXE5400_Driver), nato pa sledite navodilom na zaslonu, da zaključite namestitev omrežja Wi-Fi.
- Ko je namestitev je končana, z računalnikom preko PCE-AXE5400 vzpostavite brezžično povezavo z internetom.
- En konec priloženega kabela USB priključite na vrata USB na napravi PCE-AXE5400, drugi konec pa na priključek F_USB na matični ploči. Skenirajte spodnjo kodo QR ali gonilnik PCE-AXE5400 prenesite s spletnega mesta (asus.click/PCE-AXE5400_Driver), nato pa sledite navodilom na zaslonu, da zaključite namestitev omrežja Wi-Fi.

Magyar

ASUS Recycling/Takeback Services

ASUS recycling and takeback programs come from our commitment to the highest standards for protecting our environment. We believe in providing solutions for you to be able to responsibly recycle our products, batteries, other components, as well as the packaging materials. Please go to <http://csr.asus.com/english/Takeback.htm> for the detailed recycling information in different regions.

REACH

Complying with the REACH (Registration, Evaluation, Authorisation, and Restriction of Chemicals) regulatory framework, we published the chemical substances in our products at ASUS REACH website at <http://csr.asus.com/english/REACH.htm>

Federal Communications Commission Statement

This device complies with Part 15 of the FCC Rules. Operation is subject to the following two conditions:

- This device may not cause harmful interference.
 - This device must accept any interference received, including interference that may cause undesired operation.
- This equipment has been tested and found to comply with the limits for a class B digital device pursuant to part 15 of the FCC Rules. These limits are designed to provide reasonable protection against harmful interference in a residential installation.

This equipment generates, uses and can radiate radio frequency energy and, if not installed and used in accordance with the instructions, may cause harmful interference to radio communications. However, there is no guarantee that interference will not occur in a particular installation. If this equipment does cause harmful interference to radio or television reception, which can be determined by turning the equipment off and on, the user is encouraged to try to correct the interference by one or more of the following measures:

- Reorient or relocate the receiving antenna.
- Increase the separation between the equipment and receiver.
- Connect the equipment into an outlet on a circuit different from that to which the receiver is connected.
- Consult the dealer or an experienced radio/TV technician for help.

Deutsch

Einige Informationen sind in anderen Sprachen verfügbar. Bitte besuchen Sie die ASUS-Webseite unter www.asus.com für weitere Informationen.

Warnings

WARNING!

Any changes or modifications not expressly approved by the party responsible for compliance could void the user’s authority to operate the equipment.

IMPORTANT!

This equipment is designed to be used in conjunction with the antenna supplied with this product. The use of any other antenna may result in damage to the equipment and void the warranty. For more information, please contact your local distributor.

Prohibition of Co-location

This device and its antenna(s) must not be co-located or operating in conjunction with any other antenna or transmitter.

IMPORTANT NOTE:

Radiation Exposure Statement: This equipment complies with FCC radiation exposure limits set forth for an uncontrolled environment. End users must follow the specific operating instructions for satisfying RF exposure compliance. To maintain compliance with FCC exposure compliance requirement, please follow operation instruction as documented in this manual.

Warranty

WARNING! This equipment must be installed and operated in accordance with provided instructions and the antenna(s) used for this transmitter must be installed to provide a separation distance of at least 20 cm from all persons and must not be co-located or operating in conjunction with any other antenna or transmitter.

For more information on the terms and conditions of the warranty, please refer to the ASUS website or contact your local distributor.

This device complies with Innovation, Science and Economic Development Canada licence exempt RSS standard(s). Operation is subject to the following two conditions: (1) this device may not cause interference, and (2) this device must accept any interference, including interference that may cause undesired operation of the device.

Operation in the band 5150–5250 MHz is only for indoor use to reduce the potential for harmful interference to co-channel mobile satellite systems.

CAN ICES-003(B)/NMB-003(B)

Radio Frequency (RF) Exposure Information

The radiated output power of the ASUS Wireless Device is below the Innovation, Science and Economic Development Canada radio frequency exposure limits. The ASUS Wireless Device should be used in such a manner such that the potential for human contact during normal operation is minimized.

This equipment should be installed and operated with a minimum distance of 20 cm between the radiator any part of your body.

This device has been certified for use in Canada. Status of the listing in the Innovation, Science and Economic Development Canada’s REL (Radio Equipment List) can be found at the following web address:

http://www.ic.gc.ca/eic/site/ceb-bhst.nsf/eng/h_tt00020.html

Additional Canadian information on RF exposure also can be found at the following web: <https://www.ic.gc.ca/eic/site/smt-gst.nsf/eng/sf08792.html>

Déclaration de conformité de Innovation, Sciences et Développement économique Canada (ISED)

Le présent appareil est conforme aux CNR d’Innovation, Sciences et Développement économique Canada applicables aux appareils radio exempts de licence. L’exploitation est autorisée aux deux conditions suivantes : (1) l’appareil ne doit pas produire de brouillage, et (2) l’utilisateur de l’appareil doit accepter tout brouillage radioélectrique subi, même si le brouillage est susceptible d’en compromettre le fonctionnement.

La bande 5150 – 5250 MHz est réservée uniquement pour une utilisation à l’intérieur afin de réduire les risques de brouillage préjudiciable aux systèmes de satellites mobiles utilisant les mêmes canaux.

CAN ICES-003(B)/NMB-003(B)

Informations concernant l'exposition aux fréquences radio (RF)

La puissance de sortie émise par cet appareil sans fil est inférieure à la limite d'exposition aux fréquences radio d'Industrie Canada (IC). Utilisez l'appareil sans fil de façon à minimiser les contacts humains lors d'un fonctionnement normal. Cet appareil a été évalué et démontré conforme aux limites de DAS (Débit d'absorption spécifique) d'IC lorsqu'il est installé dans des produits hôtes particuliers qui fonctionnent dans des conditions d'exposition à des appareils portables (Les antennes doivent être situées à plus de 20 cm de votre corps).

L'utilisation de cet appareil est autorisée au Canada. Pour consulter l'entrée correspondant à l'appareil dans la liste d'équipement radio (REL - Radio Equipment List) d'Industrie Canada, rendez-vous sur: <http://www.ic.gc.ca/app/ssi/reltel/scrch/nwRdSrch.do?lang=eng>

Pour des informations supplémentaires concernant l'exposition aux fréquences radio au Canada, rendez-vous sur: <http://www.ic.gc.ca/eic/site/smt-gst.nsf/eng/sf08792.html>

屋外での使用について

本製品は、5GHz 帯域での通信に対応しています。電波法の定めにより5. 2GHz、5. 3GHz 帯域の電波は屋外で使用が禁じられています。

法律および規制遵守

本製品は電波法及びこれに基づく命令の定めるところに従い使用してください。日本国外では、その国の法律または規制により、本製品を使用ができないことがあります。このような国では、本製品を運用した結果、罰せられることがあります。当社は一切責任を負いかねますのでご了承ください。

VCCI: Japan Compliance Statement

この装置は、情報処理装置等電波障害自主規制協議会（V C C I ）の基準に基づくクラスB情報技術装置です。この装置は、家庭環境で使用することを目的としていますが、この装置がラジオやテレビジョン受信機に近接して使用されると、受信障害を引き起こすことがあります。取り扱い説明書に従って正しい取り扱いをして下さい。

KC: Korea Warning Statement

B급 기기 (가정용 방송통신기자재)	이 기기는 가정용(B급)으로 전자파적합등록을 한 기기로서 주로 가정에서 사용하는 것을 목적으로 하며, 모든 지역에서 사용할 수 있습니다.
---------------------	--

Class B equipment (For Home Use Broadcasting & Communication Equipment)	This equipment is home use (Class B) electromagnetic wave suitability and to be used mainly at home and it can be used in all areas.
--	--

Indonesian

Perangkat ini menggunakan gelombang radio yang aman untuk rumah (kelas B) dan dapat digunakan di seluruh rumah. Perangkat ini dirancang untuk digunakan di rumah, tetapi dapat digunakan di mana saja.

Precautions for the use of the device

- Ay particular attention to the personal safety when use this device in airports, hospitals, gas stations and professional garages.
- Medical device interference: Maintain a minimum distance of at least 15 cm (6 inches) between implanted medical devices and ASUS products in order to reduce the risk of interference.
- Kindly use ASUS products in good reception conditions in order to minimize the radiation’s level.
- Keep the device away from pregnant women and the lower abdomen of the teenager.

Précautions d'emploi de l'appareil

- Soyez particulièrement vigilant quant à votre sécurité lors de l'utilisation de cet appareil dans certains lieux (les avions, les aéroports, les hôpitaux, les stations-service et les garages professionnels).
- Évitez d'utiliser cet appareil à proximité de dispositifs médicaux implantés. Si vous portez un implant électronique (stimulateurs cardiaques, pompes à insuline, neurostimulateurs…), veuillez impérativement respecter une distance minimale de 15 centimètres entre cet appareil et votre corps pour réduire les risques d'interférence.
- Utilisez cet appareil dans de bonnes conditions de réception pour minimiser le niveau de rayonnement. Ce n'est pas toujours le cas dans certaines zones ou situations, notamment dans les parkings souterrains, dans les ascenseurs, en train ou en voiture ou tout simplement dans un secteur mal couvert par le réseau.
- Tenez cet appareil à distance des femmes enceintes et du bas-ventre des adolescents.

Условия эксплуатации:

- Температура эксплуатации устройства: 0-40 °C. Не используйте устройство в условиях экстремально высоких или низких температур.
- Не размещайте устройство вблизи источников тепла, например, рядом с микроволновой печью, духовым шкафом или радиатором.
- Использование несовместимого или несертифицированного адаптера питания может привести к возгоранию, взрыву и прочим опасным последствиям.
- При подключении к сети электропитания устройство следует располагать близко к розетке, к ней должен осуществляться беспрепятственный доступ.
- Утилизация устройства осуществляется в соответствии с местными законами и положениями. Устройство по окончании срока службы должны быть переданы в сертифицированный пункт сбора для вторичной переработки или правильной утилизации.
- Данное устройство не предназначено для детей. Дети могут пользоваться устройством только в присутствии взрослых.
- Не выбрасывайте устройство и его комплектующие вместе с обычными бытовыми отходами.

Untuk informasi lebih lanjut mengenai persyaratan penggunaan perangkat ini, silakan kunjungi situs web ASUS atau hubungi distributor lokal Anda.

For more information on the terms and conditions of the warranty, please refer to the ASUS website or contact your local distributor.

India RoHS

This product complies with the "India E-Waste (Management) Rules, 2016" and prohibits use of lead, mercury, hexavalent chromium, polybrominated biphenyls(PBBs) and polybrominated diphenyl ethers (PBDEs) in concentrations exceeding 0.1 % by weight in homogenous materials and 0.01 % by weight in homogenous materials for cadmium, except for the exemptions listed in Schedule II of the Rule.

For more information on the terms and conditions of the warranty, please refer to the ASUS website or contact your local distributor.

AE4EE Yönetmeliğine Uygundur. IE4EE Yönetmeliğine Uygundur.

- Bu Cihaz Türkiye analog şebekelerde çalışabilecek şekilde tasarlanmıştır.
- Cihazın ayrıntılı kurulum rehberi kutu içeriğinden çıkan CD içindedir. Cihazın kullanıcı arayüzü Türkçedir.
- Cihazın kullanılması planlanan ülkelerde herhangi bir kısıtlaması yoktur. Ülkeler simgeler halinde kutu üzerinde belirtilmiştir.

For more information on the terms and conditions of the warranty, please refer to the ASUS website or contact your local distributor.

ПРИМІТКА : Будь ласка, використовуйте спеціальний клей, щоб закріпити антени. Клей не входить до комплекту постачання.
Перелік режимів роботи для України:
2,4 ГГц: 802.11b, 802.11g, 802.11n (HT20), 802.11n (HT40), 802.11ax(HE20), 802.11ax(HE40)
5 ГГц: 802.11a, 802.11n (HT20), 802.11n (HT40), 802.11ac (VHT20), 802.11ac (VHT80), 802.11ac(VHT160), 802.11ax(HE20), 802.11ax(HE40), 802.11ax(HE80), 802.11ax(HE160)

Частота, режим і максимальна випромінювана потужність для України:
2412–2472 МГц: 19,98 дБм; 5180–5240 МГц: 19,98 дБм, 5260–5320 МГц: 19,98 дБм; 5500–5700 МГц: 19,98 дБм, 2402–2480 МГц (BR/EDR): 5,82 дБм; 2402–2480 МГц (LE): 5,59 дБм.

Пристрій призначено для використання тільки у приміщенні.
справжнім ASUS заявляє, що даний пристрій відповідає Технічному регламенту радіоблоднання; повний текст декларації про відповідність доступний на веб-сайті за адресою: <https://certificates.asus.website/w/>

Інформація з техніки безпеки
ОБЕРЕЖНО! Використання засобів керування чи налаштування або виконання процедур, не зазначених у цьому документі, може призвести до небезпечного опромінення.

- Умови експлуатації
- Температура експлуатації пристрою: 0-40°C. Не використовуйте пристрій в умовах екстремально високих чи низьких температур.
- Не розташовуйте пристрій поблизу джерел тепла, наприклад, поряд із мікрохвильовою піччю, духовою шафою чи радіатором.
- Використання несумісного чи несертифікованого адаптера живлення може призвести до загоряння, вибуху чи інших небезпечних наслідків.
- При підключенні до мережі електроживлення пристрій потрібно розташовувати поблизу розетки, до неї має бути вільний доступ.
- Утилізація пристрою здійснюється відповідно до місцевих законів і положень. Пристрій після завершення терміну експлуатації має бути переданий до сертифікованого пункту збору для вторинної переробки чи правильної утилізації.
- Цей пристрій не призначений для дітей. Діти можуть використовувати пристрій тільки в присутності дорослих.
- Не викидайте пристрій чи його компоненти разом зі звичайними побутовими відходами.

- Використовуйте лише блок живлення, що додається до маршрутизатора ASUS.
- Ніколи не тягніть за шнур блоку живлення, щоб від'єднати його від розетки.
- Тягніть за сам блок живлення.

Обережність

- Маршрутизатор ASUS є високоякісним обладнанням. Перед початком роботи прочитайте всі інструкції та попереджувальні позначки на адаптері змінного струму.
- Не використовуйте маршрутизатор ASUS в екстремальних умовах, за високої температури або високої вологості. Маршрутизатор ASUS найкраще працює при температурі навколишнього середовища від 0 °C до 40 °C.
- Не розбирайте маршрутизатор ASUS та його аксесуарі.
- Якщо потрібно обслуговування або ремонт пристрою, зверніться до авторизованого сервісного центру.
- Якщо пристрій розібрано, може виникнути небезпека ураження електричним струмом або пожежі.

הוראות בטיחות לשימוש במוצר

יש לפעול ע"פ עלו ללי הבטיחות הבאים בעת שימוש במוצר:

- ודא שלמות ותקינות התקע ו/או כבל החשמל.
- אין להנציג או להוציא את התקע מרשת החשמל בידים רטובות.

באם המוצר מופעל ל"עט מ"ט חיצוני, אין לפתוח את המטען, במקרה של בעיה כלשהי, יש לפנות למעבדת השירות הקרובה.

- יש להרחיק את המוצר מהמטען מגזלים.
- במקרה של ריח מוזר, רעשים שמקורם במוצר ו/או במטען/ספק כוח, יש לנתקו מיידית מרשת החשמל ולפנות למעבדת שירות.

המוצר והמטען/ספק כוח מיועד לשימוש בתוך המבנה בלבד, לא לשימוש חיצוני ולא לשימוש בסביבה חה.

- אין לחתוך, לשבור, ולקעקע את כבל החשמל.
- אין להניח חפצים על כבל החשמל או להניח לו להתחמם יתר על המידה, שכן הדבר עלול לגרום לנזק, דליקה או התחשמלות.

אין לפני ניקוי המוצר ו/או המטען יש לנתקו מרשת החשמל.

- יש לאפשר גישה נוחה לחיבור וניתוק פתיל הזינה מרשת החשמל
- יש להקפיד ולתחזק את התק האות הניתוק במצב תפעולי מוכן לשימוש אחרתה:

- אין להחליף את כבל הזינה בתחליפים לא מקוריים, חיבור לקוי עלול לגרום להתחשמלות הממשלת.
- בשימוש על כבל מאריך יש לוודא תקינות מוליך הארקה שבכבל.

한국어

본 제품은 가정용(B급) 전자기파 적합 등록을 한 기기로서 주로 가정에서 사용하는 것을 목적으로 하며, 모든 지역에서 사용할 수 있습니다.

Untuk informasi lebih lanjut mengenai persyaratan penggunaan perangkat ini, silakan kunjungi situs web ASUS atau hubungi distributor lokal Anda.

Manufacturer	ASUSTeK Computer Inc. Tel: +886-2-2894-3447
Authorised representative in Europe	ASUS Computer GmbH Address: HARKORT STR. 21-23, 40880 RATINGEN, GERMANY
Authorised representative in United Kindgom	ASUSTEK (UK) LIMITED Address: 1st Floor, Sackville House, 143-149 Fenchurch Street, London, EC3M 6BL, England, United Kingdom Tel: +44-01442-202-700 Fax: +44-01442-245-882
Authorised distributors in Turkey	BOGAZICI BILGISAYAR TICARET VE SANAYI A.S. Tel./FAX No.: +90 212 331 10 00 / +90 212 332 28 90 Address: ESENTEPE MAH. BUYUKDERE CAD. ERCAN HAN B BLOK NO.121 SISLI, ISTANBUL 34394
	CIZGI Elektronik San. Tic. Ltd. Sti. Tel./FAX No.: +90 212 356 70 70 / +90 212 356 70 69 Address: GURSEL MAH. AKMAN SK.47B 1 KAGITHANE/ISTANBUL
	KOYUNCU ELEKTRONIK BILGI ISLEM SIST. SAN. VE DIS TIC. A.S. Tel. No.: +90 216 5288888 Address: EMEK MAH.ORDU CAD. NO:18, SARIGAZI, SANCaktePE ISTANBUL
	ENDEKS BİLİŞİM SAN VE DIŞ TIC LTD ŞTİ Tel./FAX No.: +90 216 523 35 70 / +90 216 523 35 71 Address: NECIP FAZIL BULVARI, KEYPAR CARSI SITESI, G1 BLOK, NO:115 Y.DUDULLU, UMRANIYE, ISTANBUL
	PENTA TEKNOLOJİ URUNLERI DAGITIM TICARET A.S Tel./FAX No.: +90 216 528 0000 Address: ORGANIZE SANAYI BOLGESI NATO YOLU 4.CADDE NO:1 UMRANIYE, ISTANBUL 34775

Portuguese

Perangkat ini menggunakan gelombang radio yang aman untuk rumah (kelas B) dan dapat digunakan di seluruh rumah. Perangkat ini dirancang untuk digunakan di rumah, tetapi dapat digunakan di mana saja.

Indonesian

Perangkat ini menggunakan gelombang radio yang aman untuk rumah (kelas B) dan dapat digunakan di seluruh rumah. Perangkat ini dirancang untuk digunakan di rumah, tetapi dapat digunakan di mana saja.

Magyar

A készülék otthoni (B osztályú) elektromágneses kompatibilitású, és minden területen használható.

A készülék az elektromágneses kompatibilitási (EMV) szabványoknak megfelelően tervezték, így biztonságos használatra alkalmas minden környezetben.

For more information on the terms and conditions of the warranty, please refer to the ASUS website or contact your local distributor.

<https://www.asus.com/support>

Untuk informasi lebih lanjut mengenai persyaratan penggunaan perangkat ini, silakan kunjungi situs web ASUS atau hubungi distributor lokal Anda.

For more information on the terms and conditions of the warranty, please refer to the ASUS website or contact your local distributor.

This device complies with Innovation, Science and Economic Development Canada licence exempt RSS standard(s). Operation is subject to the following two conditions: (1) this device may not cause interference, and (2) this device must accept any interference, including interference that may cause undesired operation of the device.

Operation in the band 5150–5250 MHz is only for indoor use to reduce the potential for harmful interference to co-channel mobile satellite systems.

CAN ICES-003(B)/NMB-003(B)

Radio Frequency (RF) Exposure Information

The radiated output power of the ASUS Wireless Device is below the Innovation, Science and Economic Development Canada radio frequency exposure limits. The ASUS Wireless Device should be used in such a manner such that the potential for human contact during normal operation is minimized.

This equipment should be installed and operated with a minimum distance of 20 cm between the radiator any part of your body.

This device has been certified for use in Canada. Status of the listing in the Innovation, Science and Economic Development Canada’s REL (Radio Equipment List) can be found at the following web address:

http://www.ic.gc.ca/eic/site/ceb-bhst.nsf/eng/h_tt00020.html

Additional Canadian information on RF exposure also can be found at the following web: <https://www.ic.gc.ca/eic/site/smt-gst.nsf/eng/sf08792.html>

Déclaration de conformité de Innovation, Sciences et Développement économique Canada (ISED)

Le présent appareil est conforme aux CNR d’Innovation, Sciences et Développement économique Canada applicables aux appareils radio exempts de licence. L’exploitation est autorisée aux deux conditions suivantes : (1) l’appareil ne doit pas produire de brouillage, et (2) l’utilisateur de l’appareil doit accepter tout brouillage radioélectrique subi, même si le brouillage est susceptible d’en compromettre le fonctionnement.

La bande 5150 – 5250 MHz est réservée uniquement pour une utilisation à l’intérieur afin de réduire les risques de brouillage préjudiciable aux systèmes de satellites mobiles utilisant les mêmes canaux.

CAN ICES-003(B)/NMB-003(B)

Informations concernant l'exposition aux fréquences radio (RF)

La puissance de sortie émise par cet appareil sans fil est inférieure à la limite d'exposition aux fréquences radio d'Industrie Canada (IC). Utilisez l'appareil sans fil de façon à minimiser les contacts humains lors d'un fonctionnement normal.

Cet appareil a été évalué et démontré conforme aux limites de DAS (Débit d'absorption spécifique) d'IC lorsqu'il est installé dans des produits hôtes particuliers qui fonctionnent dans des conditions d'exposition à des appareils portables (Les antennes doivent être situées à plus de 20 cm de votre corps).

L'utilisation de cet appareil est autorisée au Canada. Pour consulter l'entrée correspondant à l'appareil dans la liste d'équipement radio (REL - Radio Equipment List) d'Industrie Canada, rendez-vous sur: <http://www.ic.gc.ca/app/ssi/reltel/scrch/nwRdSrch.do?lang=eng>

Pour des informations supplémentaires concernant l'exposition aux fréquences radio au Canada, rendez-vous sur: <http://www.ic.gc.ca/eic/site/smt-gst.nsf/eng/sf08792.html>

屋外での使用について

本製品は、5GHz 帯域での通信に対応しています。電波法の定めにより5. 2GHz、5. 3GHz 帯域の電波は屋外で使用が禁じられています。

法律および規制遵守

本製品は電波法及びこれに基づく命令の定めるところに従い使用してください。日本国外では、その国の法律または規制により、本製品を使用ができないことがあります。このような国では、本製品を運用した結果、罰せられることがあります。当社は一切責任を負いかねますのでご了承ください。

VCCI: Japan Compliance Statement

この装置は、情報処理装置等電波障害自主規制協議会（V C C I ）の基準に基づくクラスB情報技術装置です。この装置は、家庭環境で使用することを目的としていますが、この装置がラジオやテレビジョン受信機に近接して使用されると、受信障害を引き起こすことがあります。取り扱い説明書に従って正しい取り扱いをして下さい。

KC: Korea Warning Statement

B급 기기 (가정용 방송통신기자재)

이 기기는 가정용(B급)으로 전자파적합등록을 한 기기로서 주로 가정에서 사용하는 것을 목적으로 하며, 모든 지역에서 사용할 수 있습니다.

Networks Global Hotline Information

Area	Country/ Region	Hotline Number	Service Hours
------	-----------------	----------------	---------------

UKCA statement

Simplified UKCA Declaration of Conformity

ASUSTek Computer Inc. hereby declares that this device is in compliance with the essential requirements and other relevant provisions of The Radio Equipment Regulations 2017 (S.I. 2017/1206). Full text of UKCA declaration of conformity is available at <https://www.asus.com/support/>.

The frequency, channel and the maximum transmitted power in UK are listed below:

2402-2480 MHz (BT LE/BT EDR); 13.93dBm (24.7mW)

2412-2472 MHz (1-13); OFDM: 19.89dBm (97.5mW); CCK: 17.71dBm (59.0mW)

5180-5250 MHz (36-48); 22.82dBm (191.4mW)

5250-5320 MHz (52-64); 22.87 dBm (193.6mW)

5500-5700 MHz (100-140); 22.80 (190.5mW)

5745-5825 MHz (149-165); 13.97dBm (24.94mW)

5955-6415 MHz (1-93); 13.90dBm (24.54mW)

2.4GHz: 802.11b, 802.11g, 802.11n (HT20), 802.11n (HT40), 802.11ac (VHT20), 802.11ac (VHT40), 802.11ax (HE20), 802.11ax (HE40)

5GHz: 802.11a, 802.11n (HT20), 802.11n (HT40), 802.11ac (VHT20), 802.11ac (VHT40), 802.11ac (VHT80), 802.11ac (VHT160), 802.11ax (HE20), 802.11ax (HE40), 802.11ax (HE80)

6GHz: 802.11ax (HE20), 802.11ax (HE40), 802.11ax (HE80) , 802.11ax (HE160)

The WiFi operating in the band 5150-5350 MHz shall be restricted to indoor use for the country listed below:

UK

Authorized representative in United Kingdom: ASUSTEK (UK) LIMITED

Address: 1st Floor, Sackville House, 143-149 Fenchurch Street, London, EC3M 6BL, England, United Kingdom

Tel: +44-01442-202-700
Fax: +44-01442-245-882

Support mail: network_support_uk@asus.com

<http://uk.asus.com>

UKCA CE



Points de collecte sur www.quefairedemesdechets.fr
Privilégiez la réparation ou le don de votre appareil !

English CE statement

Simplified EU Declaration of Conformity

ASUSTek Computer Inc. hereby declares that this device is in compliance with the essential requirements and other relevant provisions of Directive 2014/53/EU. Full text of EU declaration of conformity is available at <https://www.asus.com/support/>.

This equipment complies with EU radiation exposure limits set forth for an uncontrolled environment. This equipment should be installed and operated with minimum distance 5 mm between the radiator & your body.

All operational modes:

2.4GHz: 802.11b, 802.11g, 802.11n (HT20), 802.11n (HT40), 802.11ac (VHT20), 802.11ac (VHT40), 802.11ax (HE20), 802.11ax (HE40)

5GHz: 802.11a, 802.11n (HT20), 802.11n (HT40), 802.11ac (VHT20), 802.11ac (VHT40), 802.11ac (VHT80), 802.11ac (VHT160), 802.11ax (HE20), 802.11ax (HE40), 802.11ax (HE80)

6GHz: 802.11ax (HE20), 802.11ax (HE40), 802.11ax (HE80) , 802.11ax (HE160)

The frequency, channel and the maximum transmitted power in EU are listed below:

2402-2480 MHz (BT LE/BT EDR); 13.93dBm (24.7mW)

2412-2472 MHz (1-13); OFDM: 19.89dBm (97.5mW); CCK: 17.71dBm (59.0mW)

5180-5250 MHz (36-48); 22.82dBm (191.4mW)

5250-5320 MHz (52-64); 22.87 dBm (193.6mW)

5500-5700 MHz (100-140); 22.80 (190.5mW)

5745-5825 MHz (149-165); 13.97dBm (24.94mW)

5955-6415 MHz (1-93); 13.90dBm (24.54mW)

The adapter shall be installed near the equipment and shall be easily accessible.

The WiFi operating in the band 5150-5350MHz shall be restricted to indoor use for countries listed in the table below:

	AT	BE	BG	CZ	DK	EE	FR
	DE	IS	IE	IT	EL	ES	CY
	LV	LI	LT	LU	HU	MT	NL
	NO	PL	PT	RO	SI	SK	TR
	FI	SE	CH	HR	UK(NI)	UA	

Safety Notices

- Use this product in environments with ambient temperatures between 0°C(32°F) and 40°C(104°F).
- Refer to the rating label on the bottom of your product and ensure your power adapter complies with this rating.
- DO NOT place on uneven or unstable work surfaces. Seek servicing if the casing has been damaged.
- DO NOT place or drop objects on top and do not shove any foreign objects into the product.
- DO NOT expose to or use near liquids, rain, or moisture. DO NOT use the modem during electrical storms.
- DO NOT cover the vents on the product to prevent the system from getting overheated.
- DO NOT use damaged power cords, accessories, or other peripherals.
- DO NOT mount this equipment higher than 2 meters.
- If the Adapter is broken, do not try to fix it by yourself. Contact a qualified service technician or your retailer.
- To prevent electrical shock hazard, disconnect the power cable from the electrical outlet before relocating the system.

Lithuanian CE pareiškimas

Supaprastinta ES atitikties deklaracija

Šiame dokumente bendrovė „ASUSTEK Computer Inc.“ pareiškia, kad šis prietaisas atitinka pagrindinius reikalavimus ir kitas susijusias Direktyvos 2014/53/EB nuostatas. Visą ES atitikties deklaracijos tekstą rasite <https://www.asus.com/support/>. Ši įranga atitinka ES radiacijos poveikio ribas, nustatytas nekontroliuojamai aplinkai. Šį prietaisą reikia statyti ir naudoti ten, kur jis būtų bent 5 cm atstumu nuo jūsų kūno.

Visi operaciniai režimai:

2.4GHz: 802.11b, 802.11g, 802.11n (HT20), 802.11n (HT40)

5GHz: 802.11a, 802.11n (HT20), 802.11n (HT40), 802.11ac (VHT20), 802.11ac (VHT40), 802.11ac (VHT80)

6GHz: 802.11ax (HE20), 802.11ax (HE40), 802.11ax (HE80) , 802.11ax (HE160)

2402-2480 MHz (BT LE/BT EDR); 13.93dBm (24.7mW)

2412-2472 MHz (1-13); OFDM: 19.89dBm (97.5mW); CCK: 17.71dBm (59.0mW)

5180-5250 MHz (36-48); 22.82dBm (191.4mW)

5250-5320 MHz (52-64); 22.87 dBm (193.6mW)

5500-5700 MHz (100-140); 22.80 (190.5mW)

5745-5825 MHz (149-165); 13.97dBm (24.94mW)

5955-6415 MHz (1-93); 13.90dBm (24.54mW)

Šį įrenginį galima naudoti tik patalpoje, kai jis veikia 5150–5350 MHz dažnių diapazone.

Saugos pranešimai

- Naudokitės šiuo gaminiu tik esant 0°C (32°F)–40 °C (104°F) aplinkos oro temperatūrai.
- Zr. techninių charakteristikų etiketę, esančią gaminio apačioje, ir įsitikinkite, ar maitinimo adapteris atitinka tas charakteristikas.
- NESTATYKITE ant nelygių ar nestabilių darbinių paviršių. Kreipkitės pagalbos, jei pažeidėte korpusą.
- NEDĖKITE ant viršaus, neužmeskite arba nekiskite į gaminį pašalinii daiktų.
- NENAUDOKITE drėgnoje vietoje, šalia kščių, kur yra drėgna, neleiskite aplyti. NENAUDOKITE modemo per elektros audras.
- NEUŽDENKITE gaminio ventilacijos angų, kad sistema neperkaistų.
- NENAUDOKITE pažaisyt maitinimo laidų, priedų ar kitų priedinių įrenginių.
- Jei adapteris sugestų, nebandykite jį remontuoti patys. Kreipkitės į kvalifikuotą meistrą arba pardavėją.
- Norėdami išvengti elektros smūgio pavojaus, prieš perkeldami sistemą į kitą vietą, atjunkite maitinimo kabelį nuo elektros lizdo.

Türkish CE Beyanı

Basitleştirilmiş AB Uygunluk Bildirimi

ASUSTek Computer Inc., bu aygıtın temel gereksinimlerle ve 2014/53/EU Yönergesinin diğer ilgili koşullarıyla uyumlu olduğunu bildirir. AB uygunluk bildiriminin tam metni <https://www.asus.com/support/> adresinde bulunmaktadır.

Bu donanım, kontrolüz bir ortam için belirlenen AB radyasyonuz maruz kalma sınırlarıyla uyumludur. Bu donanım, sinyal vericisi ve vücudunuz arasında en az 5 cm mesafe olacak şekilde yerleştirilmeli ve çalıştırılmalıdır.

Tüm işletim modları:

2.4GHz: 802.11b, 802.11g, 802.11n (HT20), 802.11n (HT40)

5GHz: 802.11a, 802.11n (HT20), 802.11n (HT40), 802.11ac (VHT20), 802.11ac (VHT40), 802.11ac (VHT80)

6GHz: 802.11ax (HE20), 802.11ax (HE40), 802.11ax (HE80), 802.11ax (HE160)

AB içinde frekans, mod ve iletilen en fazla güç aşağıda listelenmektedir:

2402-2480 MHz (BT LE/BT EDR); 13.93dBm (24.7mW)

2412-2472 MHz (1-13); OFDM: 19.89dBm (97.5mW); CCK: 17.71dBm (59.0mW)

5180-5250 MHz (36-48); 22.82dBm (191.4mW)

5250-5320 MHz (52-64); 22.87 dBm (193.6mW)

5500-5700 MHz (100-140); 22.80 (190.5mW)

5745-5825 MHz (149-165); 13.97dBm (24.94mW)

5955-6415 MHz (1-93); 13.90dBm (24.54mW)

5150 - 5350 MHz frekans aralığında çalıştırılken aygıtın kullanımı yalnızca üç mekâna sınırlıdır.

Güvenlik bilgileri

- Bu ürünü ortam sıcaklığı 0°C (32°F) ve 35°C (95°F) arasındaki sıcaklıklarda kullanın.
- Ürününüzün altındaki derecelendirme etiketine başvurun ve güç adaptörünüzün bununla uyumlu olduğundan emin olun.
- Düğün veya sabit olmayan çalışma yüzeylerine YERLEŞTİRMEYİN. Kasa haraj görmüşse servise başvurun.
- Ürünün üzerine nesnelere koymayın veya düşürmeyin ve içine yabancı nesnelere itmeyin.
- Sıvılara, yağmura ya da neme maruz BIRAKMAYIN veya bunların yanında KULLANMAYIN. Şişmeçli firtinalarda modemi KULLANMAYIN.
- Sistemin aşırı ısınmasını önlemek için üründeki havalandırma deliklerinin üzerini kapatmayın.
- Sistemin aşırı ısınmasını önlemek için masaüstü PC'nin üzerindeki hava deliklerini KAPATMAYIN.
- Güç kaynağı bozulmuşsa, tek başınıza onarmaya çalışmayın. Yetkili servis teknisyeniley veya satıcınıza bağlantı kurun.
- Elektrik çarpması riskini önlemek için, sistemin yerini değiştirmeden önce güç kablosunun elektrik prizii ile olan bağlantısını kesin.

Finnish CE-merkintä

Yksinkertaistettu EU-vaatimustenmukaisuusvakuutus

ASUSTek Computer Inc. vakuuttaa täten, että tämä laite on 2014/53/EU-direktiivin olennaisten vaatimusten ja muiden asiaan kuuluvien lisäysten mukainen. Koko EU-vaatimustenmukaisuusvakuutuksen teksti on nähtävissä osoitteessa <https://www.asus.com/support/>.

Tämä laite täyttää EU-säteilyrajoitukset, jotka on asetettu hallitsemattomaan käyttöön. Tämä laitteisto tulee asentaa ja sitä tulee käyttää siten, että säteilyä ja kehoasi välinen etäisyys on vähintään 5 cm.

Kaikki käyttötilat:

2.4GHz: 802.11b, 802.11g, 802.11n (HT20), 802.11n (HT40)

5GHz: 802.11a, 802.11n (HT20), 802.11n (HT40), 802.11ac (VHT20), 802.11ac (VHT40), 802.11ac (VHT80)

6GHz: 802.11ax (HE20), 802.11ax (HE40), 802.11ax (HE80), 802.11ax (HE160)

Taajuus, tila maksimi lähetetty teho EU:ssa on listattu alla:

2402-2480 MHz (BT LE/BT EDR); 13.93dBm (24.7mW)

2412-2472 MHz (1-13); OFDM: 19.89dBm (97.5mW); CCK: 17.71dBm (59.0mW)

5180-5250 MHz (36-48); 22.82dBm (191.4mW)

5250-5320 MHz (52-64); 22.87 dBm (193.6mW)

5500-5700 MHz (100-140); 22.80 (190.5mW)

5745-5825 MHz (149-165); 13.97dBm (24.94mW)

5955-6415 MHz (1-93); 13.90dBm (24.54mW)

Tämän laitteen käyttö on rajoitettu sisätiloihin 5 150 - 5 350 MHz:in-taajuusalueella.

Turvallisuustietoja

- Käytä tätä tuotetta ympäristöissä, joissa ympäristölämpötila on välillä 0 °C (32° F) ja 40 °C (104° F).
- Varmista tuotteen pohjassa sijaitsevasta arvokivistä vaskaao verkkolaitte tätä nimelläsin.
- ÄLÄ aseta epätasaisille tai epävakaalle pinnoille. Ota yhteys valtuuton, jos kotelo on vahingoittunut.
- ÄLÄ aseta tai pudota esineitä laitteen päälle äläkä anna minkään vieraiden esineiden joutua tuotteen sisään.
- ÄLÄ altista nesteille, sateelle tai kosteudelle tai käytä niiden lähellä. ÄLÄ käytä modemia ukkosmyrskyn aikana.
- ÄLÄ peitä tuotteen tuuletussaukkoja estääksiesi tuotteen ylikuumenemista.
- ÄLÄ käytä vahingoittuneita virtajohtoja, lisävarusteita tai muita ohjeilaitteita.
- Jos virtälähde on rikkoutunut, älä itse yritä sitä korjata. Ota yhteys ammattimaiseen huoltohenkilöön tai jälleenmyyjäasi.
- Estääksiesi sähköiskun vaaran irrota virtakaapeli pistorasiasta ennen järjestelmän paikan muuttamista.

Hungarian CE-nyilatkozat

Egyszerűsített EU-megfelelőségi nyilatkozat

Az ASUSTek Computer Inc. ezennel kijelenti, hogy ez a készülék megfelel a 2014/53/EU irányelv alapvető követelményeinek és egyéb vonatkozó rendelkezésének. Az EU-megfelelőségi nyilatkozat teljes szövegét a következő weboldalon tekintheti meg: <https://www.asus.com/support/>.

Ez a berendezés megfelel az Európai Unió rádiófrekvenciás sugárzásra vonatkozó, ellenőrzött környezethez megállapított határértékeinek. A készülék telepítésekor és használata során legalább 5 cm távolságot kell hagyni a fűtést és a testszőkétől.

Minden működési üzemmód:

2.4GHz: 802.11b, 802.11g, 802.11n (HT20), 802.11n (HT40)

5GHz: 802.11a, 802.11n (HT20), 802.11n (HT40), 802.11ac (VHT20), 802.11ac (VHT40), 802.11ac (VHT80)

6GHz: 802.11ax (HE20), 802.11ax (HE40), 802.11ax (HE80), 802.11ax (HE160)

Az alábbiakban megtekintheti az Európai Unióban érvényes frekvenciát, üzemmódot és maximális átviteli teljesítményt:

2402-2480 MHz (BT LE/BT EDR); 13.93dBm (24.7mW)

2412-2472 MHz (1-13); OFDM: 19.89dBm (97.5mW); CCK: 17.71dBm (59.0mW)

5180-5250 MHz (36-48); 22.82dBm (191.4mW)

5250-5320 MHz (52-64); 22.87 dBm (193.6mW)

5500-5700 MHz (100-140); 22.80 (190.5mW)

5745-5825 MHz (149-165); 13.97dBm (24.94mW)

5955-6415 MHz (1-93); 13.90dBm (24.54mW)

Az 5150 és 5350 MHz közötti frekvencia tartományban a készülék beltéri használatra van korlátozva.

Biztonsági információk

- A terméket 0 °C (32 °F) és 40 °C (104 °F) közötti hőmérsékleten használja.
- Tekints meg a termék alján lévő minősítési címkét, és ellenőrizze, hogy a hálózati adapter megfelel a minősítésnek.
- NE tegye a számítógépet labilis, vagy egyenetlen felületre. A sérült burkolatot javíttassa meg.
- NE helyezzen és NE ejtsen tárgyakat a készülék tetejére, és ne dugjon idegen tárgyakat a belsejébe.
- NE tegye ki folyadéknak, esőnek vagy nedvességnek, vagy használja azok közelében. NE használja a modemet villámlás közben.
- NE fedje be a készüléken lévő szellőzőnyílásokat, nehogy túlmelegedjen a rendszer.
- NE használjon sérült tápkábelt, kiegészítőt vagy más perifériát.
- Ha a tápegység elromlik, ne kísérelje meg saját maga megjavítani. Forduljon szakemberhez vagy a termék vevőszolgálatához.
- Az áramütés elkerülése érdekében húzza ki a berendezés tápkábelét a konnektorból, mielőtt áthelyezné a rendszert.

Latvian CE apliecinājums

Vienkāršots ES paziņojums par atbilstību

Ar šo ASUSTek Computer Inc. paziņo, ka šī ierīce atbilst Direktīvas Nr. 2014/53/ES būtiskām prasībām un citiem attiecīgiem noteikumiem. Pilns ES atbilstības paziņojuma teksts ir pieejams šeit: <https://www.asus.com/support/>.

Šī ierīce atbilst ES radiācijas iedarbības ierobežojumiem, kas noteikti veidī, kur šī iedarbība netiek kontrolēta. Šī ierīce ir jāuzstāda un jādarbina, ievērojot minimālo atstarojumu 5 cm starp radiatoru un ķermeni.

Visi darbibas režimi:

2.4GHz: 802.11b, 802.11g, 802.11n (HT20), 802.11n (HT40)

5GHz: 802.11a, 802.11n (HT20), 802.11n (HT40), 802.11ac (VHT20), 802.11ac (VHT40), 802.11ac (VHT80)

6GHz: 802.11ax (HE20), 802.11ax (HE40), 802.11ax (HE80), 802.11ax (HE160)

Frekvence, režims un maksimālā pārraidītā jauda ES ir norādīta tālāk.

2402-2480 MHz (BT LE/BT EDR); 13.93dBm (24.7mW)

2412-2472 MHz (1-13); OFDM: 19.89dBm (97.5mW); CCK: 17.71dBm (59.0mW)

5180-5250 MHz (36-48); 22.82dBm (191.4mW)

5250-5320 MHz (52-64); 22.87 dBm (193.6mW)

5500-5700 MHz (100-140); 22.80 (190.5mW)

5745-5825 MHz (149-165); 13.97dBm (24.94mW)

5955-6415 MHz (1-93); 13.90dBm (24.54mW)

Šī ierīce, darbojoties no 5150 MHz līdz 5350 MHz frekvences diapazonā, paredzēta tikai lietošanai iekštelpās.

Drošības paziņojumi

- Lietojiet šo ierīci tikai vietās, kur apkārtējā temperatūra ir no 0°C (32°F) līdz 40°C (104°F).
- Skatiet strāvas parametru uzlīmi ierīces apakšā un pārliecinieties, lai strāvas adapteris atbilstu parametriem.
- NEIENVIETOT uz nelīdzenas un nestabilas darba virsmas. Vēlīeties tehniškas palīdzības dienestā, ja ir bojāts ārējais ietvars.
- NEIENVIETOT vai nemest priekšmetus uz virsmas un neievietot ierīcē nekādas svešķermeņus.
- NEPAKLAUT šķidrumu, lietus vai mitruma ietekmē vai nelietot to tuvumā. NELIETOT modemu negaisa laikā.
- NEAPKLĀT ierīces ventilācijas atveres, lai sistēma nepārkarstu.
- NELIETOT bojātus strāvas vadus, papildinieces vai citas ārējās ierīces.
- Ja adapteris ir bojāts, neveiciet tā remontu paši. Saņemieties ar kvalificētu speciālistu vai

Frecventa, modul și puterea maximă transmisă în UE sunt enumerate mai jos:
2402-2480 MHz (BT LE/BT EDR): 13.93dBm (24.7mW)
2412-2472 MHz (1-13): OFDM: 19.89dBm (97.5mW); CCK: 17.71 dBm (59.0mW)
5180-5250 MHz (36-48): 22.82dBm (191.4mW)
5250-5320 MHz (52-64): 22.87 dBm (193.6mW)
5500-5700 MHz (100-140): 22.80 (190.5mW)
5745-5825 MHz (149-165): 13.97dBm (24.94mW)
5955-6415 MHz (1-93): 13.90dBm (24.54mW)

Dispozitivul este restricționat doar la utilizarea în interior în cazul operării în intervalul de frecvență cuprins între 5.150 și 5.350 MHz.

Informații pentru utilizarea în condiții de siguranță

- Utilizați PC-ul desktop în medii cu temperatura ambientă scăpând între 0 °C (32 °F) și 40 °C (104 °F).
- Consultați eticheta de pe partea de jos a produsului pentru a vă asigura că adaptorul dvs. este conform.
- NU așezați produsul pe suprafețe de lucru neregulate sau instabile. În cazul în care carcasa s-a deteriorat, solicitați operații de service.
- NU plasați și nu scăpați obiecte pe partea de sus a produsului și nu introduceți obiecte externe în produs.
- NU expuneți PC-ul desktop la lichide, la ploaie sau la umezeală. NU utilizați PC-ul desktop în timpul furtunilor cu descărcări electrice.
- NU acoperiți orificiile de ventilare de pe produs. În caz contrar, este posibil ca sistemul să se supraîncălzească.
- NU utilizați cabluri de alimentare, accesorii sau echipamente periferice deteriorate.
- Dacă sursa de alimentare se defectează, nu încercați să o reparați singur. Contactați un tehnician de service calificat sau distribuitorul local.
- Pentru a preveni pericolul de electrocutare, deconectați cablul de alimentare de la priză electrică înainte de reamplasarea sistemului.

Serbian CE Izjava

Pojednostavljena EU deklaracija o saglasnosti

ASUSTek Computer Inc. ovim potvrđuje da je ovaj uređaj u saglasnosti sa ključnim zahtevima i drugim relevantnim odredbama Direktive 2014/53/EU. Pun tekst EU deklaracije o saglasnosti je dostupan na adresi **https://www.asus.com/support/**

Ova oprema u saglasnosti je sa EU ograničenjima za izloženost radijaciji, određeni za nekontrolisanu sredinu. Ova oprema treba da bude instalirana i da se njome upravlja za minimalne udaljenosti od 5 cm između radijatora i vašeg tela.

Svi radni režimi:

2.4GHz: 802.11b, 802.11g, 802.11n (HT20), 802.11n (HT40)
5GHz: 802.11a, 802.11n (HT20), 802.11n (HT40), 802.11ac (VHT20), 802.11ac (VHT40), 802.11ac (VHT80)
6GHz: 802.11ax (HE20), 802.11ax (HE40), 802.11ax (HE80), 802.11ax (HE160)
Frekvencija, režim i maksimalna snaga prenosenja u EU su navedeni ispod:
2402-2480 MHz (BT LE/BT EDR): 13.93dBm (24.7mW)
2412-2472 MHz (1-13): OFDM: 19.89dBm (97.5mW); CCK: 17.71 dBm (59.0mW)
5180-5250 MHz (36-48): 22.82dBm (191.4mW)
5250-5320 MHz (52-64): 22.87 dBm (193.6mW)
5500-5700 MHz (100-140): 22.80 (190.5mW)
5745-5825 MHz (149-165): 13.97dBm (24.94mW)
5955-6415 MHz (1-93): 13.90dBm (24.54mW)
Uređaj je ograničen za korišćenje unutra samo kada radi u frekventnom opsegu od 5150 to 5350 MHz.

Bezbednosna obaveštenja

- Koristite ovaj proizvod u sredinama sa ambijentalnom temperaturom između 0°C (32°F) and 40°C (104°F).
- Pogledajte etiketu sa oznakom na dnu svog proizvoda i proverite da se vaš adapter za napajanje slaže sa ovom oznakom.
- NE stavljajte na neravnu ili nestabilnu radnu površinu. Potražite servisiranje ukoliko je kućište oštećeno.
- NE postavljajte i ne ispušajte predmete na vrhu i ne gurajte strane predmete u proizvod.
- NE izlažite tečnostima i ne koristite u blizini tečnosti, kiše ili vlage. NE koristite modem tokom oluja sa gmrjavinom.
- NE pokrivajte otvore na proizvodu da biste sprečili da se sistem pregreje.
- NE koristite oštećene kablove za struju, dodatke ili druge periferne uređaje.
- Ukoliko se adapter polomi, ne pokušajte ga da sami popravite. Pozovite kvalifikovanog tehničara za popravku ili svog prodavca.
- Da sprečite rizik od električnog šoka, isključite kabl za struju iz električne utičnice pre premeštanja sistema.

Czech

Prohlášení CE

Zjednodušené prohlášení o shodě s EU

Společnost ASUSTek Computer Inc. tímto prohlašuje, že toto zařízení splňuje základní požadavky a další příslušná ustanovení směrnice 2014/53/EU. Plné znění prohlášení o shodě EU je k dispozici na adrese **https://www.asus.com/support/**

Toto zařízení vyhovuje limitům EU pro vystavení vyzařování stanoveným pro neřízené prostředí. Toto zařízení musí být nainstalováno a provozováno v minimální vzdálenosti 5 cm mezi zaříčen a vaším tělem.

Všchny provozní režimy:

2.4GHz: 802.11b, 802.11g, 802.11n (HT20), 802.11n (HT40)
5GHz: 802.11a, 802.11n (HT20), 802.11n (HT40), 802.11ac (VHT20), 802.11ac (VHT40), 802.11ac (VHT80)
6GHz: 802.11ax (HE20), 802.11ax (HE40), 802.11ax (HE80), 802.11ax (HE160)
Niže je uvedena frekvence, režim a maximální vysílany výkon v EU:
2402-2480 MHz (BT LE/BT EDR): 13.93dBm (24.7mW)
2412-2472 MHz (1-13): OFDM: 19.89dBm (97.5mW); CCK: 17.71 dBm (59.0mW)
5180-5250 MHz (36-48): 22.82dBm (191.4mW)
5250-5320 MHz (52-64): 22.87 dBm (193.6mW)
5500-5700 MHz (100-140): 22.80 (190.5mW)
5745-5825 MHz (149-165): 13.97dBm (24.94mW)
5955-6415 MHz (1-93): 13.90dBm (24.54mW)
Při provozu ve frekvenčním rozsahu 5 150 až 5 350 MHz je používání tohoto zařízení omezeno pouze na vnitřní prostory.

Bezpečnostní informace

- Počítač používejte jen při teplotě okolí 0 °C (32 °F) až 40 °C (104 °F).
- Informace naleznete na energetickém štítku na spodní straně vašeho produktu. Ujistěte se, že napájecí adaptér je v souladu s hodnotou na něm uvedenou.
- NEPOKLÁDEJTE na nerovné ani nestabilní pracovní povrchy. Pokud je skříň počítače poškozená, vyhleďte opravnu.
- NEDÁVJTE ani nepouštějte předměty na horní stranu produktu ani do něj nezastklujte žádné cizí objekty.
- NEVYSTAVUJTE ani nepoužívejte blízko teploty, deště nebo vlhkosti. NEPOUŽÍVJTE modem během bouřek.
- NEZAKRÝVJTE otvory na produktu, které mají zabránit přehřátí systému.
- NEPOUŽÍVJTE poškozené napájecí kabely, doplňky ani jiné periferie.
- Pokud je napájecí zdroj porouchaný, nepokoušejte se jej opravovat. Kontakujte kvalifikovaného servisního technika nebo prodejce.
- Abyste nedošl k zásahu elektrickým proudem, odpojte napájecí kabel z elektrické zásuvky před přemístěním počítače.

Estonian CE-kinnitus

Lihtsustatud ELi vastavusdeklaratsioon

Käesolevaga kinnitab ASUSTek Computer Inc., et see seade on vastavusse direktiivi 2014/53/EL oluliste nõuete ja teiste asjakohaste sätetega. ELi vastavusdeklaratsiooni täielik tekst on saadaval aadressil **https://www.asus.com/support/**.

Käesolev seade vastab kontrollimata keskkonnale sätetatud ELi kiirgusnormidele. Antud seadme paigaldamisel ja kasutamisel tuleb arvestada, et see peab jääma raadiatori ja teie kehast vähemalt 5 cm kaugusele.

Kõik töörežiimid:

2.4GHz: 802.11b, 802.11g, 802.11n (HT20), 802.11n (HT40)
5GHz: 802.11a, 802.11n (HT20), 802.11n (HT40), 802.11ac (VHT20), 802.11ac (VHT40), 802.11ac (VHT80)
6GHz: 802.11ax (HE20), 802.11ax (HE40), 802.11ax (HE80), 802.11ax (HE160)
Teave sageduse, režiimi ja maksimaalse edastatava võimsuse kohta ELis on esitatud allpool:
2402-2480 MHz (BT LE/BT EDR): 13.93dBm (24.7mW)
2412-2472 MHz (1-13): OFDM: 19.89dBm (97.5mW); CCK: 17.71 dBm (59.0mW)
5180-5250 MHz (36-48): 22.82dBm (191.4mW)
5250-5320 MHz (52-64): 22.87 dBm (193.6mW)
5500-5700 MHz (100-140): 22.80 (190.5mW)
5745-5825 MHz (149-165): 13.97dBm (24.94mW)
5955-6415 MHz (1-93): 13.90dBm (24.54mW)
Seadet tuleb kasutada ainult sisetingimustes sagedusvahemikus 5150 MHz kuni 5350 MHz.

Ohutusmärgused

- Seda seadet võib kasutada ümbritsvea keskkonna temperatuuril 0 °C (32 °F) kuni 40 °C (104 °F).
- Vaadake seadme põhjal asuvat silti ja veenduge, et teie toiteadapter vastab toitepingele.
- ÄRGE asetage ebaühtlasele või ebastabiilsele pinnale. Kui aku umbris on kahjustada saanud, pöörduge teenindusse.
- ÄRGE pange või laske kukkuda mingeid esemeid seadme peale ja ärge torgake midagi seadme sisse.
- ÄRGE kasutage seadet vihma käes ega vedelike ja niiskuse lähedal. ÄRGE kasutage modemit äikse ajal.
- ÄRGE katke kinni seadme õhutusavad, et vältida selle ülekuumenemist.

- ÄRGE kasutage kahjustunud toitejuhtmeid, lisa- ega välisseedmeid.
- Kui toiteadapter on rikkis, siis ärge püüdke seda ise parandada. Võtke ühendust kvalifitseeritud hooldustehnikuga või kaumiüajaga.
- Elektriõhugi ohu vältimiseks ühendage toitekaabel pistikupesast lahti enne, kui süsteemi ümber paigutate.

Slovanian Izjava CE

Poenostavljena izjava o skladnosti EU

ASUSTek Computer Inc. izjavlja, da je ta naprava skladna s temeljnimi zahtevami in drugimi relevantnimi določili Direktive 2014/53/EU. Celotno besedilo izjave EU o skladnosti je na voljo na spletnem mestu **https://www.asus.com/support/**.

Izjava o skladnosti za Direktivo o okoljsko primerni zasnovi 2009/125/ES

Oprema je v skladu z omejitvami EU o izpostavljenosti sevanju za nenadzorovano okolje. Opremo namestite in z njo upravljajte na najmanjši oddaljenosti 5 cm med radiatorjem in telesom.

Vsi načini delovanja:

2.4GHz: 802.11b, 802.11g, 802.11n (HT20), 802.11n (HT40)
5GHz: 802.11a, 802.11n (HT20), 802.11n (HT40), 802.11ac (VHT20), 802.11ac (VHT40), 802.11ac (VHT80)
6GHz: 802.11ax (HE20), 802.11ax (HE40), 802.11ax (HE80), 802.11ax (HE160)
Frekvenca, način in maksimalna oddajna moč v EU so navedene v nadaljevanju:
2402-2480 MHz (BT LE/BT EDR): 13.93dBm (24.7mW)
2412-2472 MHz (1-13): OFDM: 19.89dBm (97.5mW); CCK: 17.71 dBm (59.0mW)
5180-5250 MHz (36-48): 22.82dBm (191.4mW)
5250-5320 MHz (52-64): 22.87 dBm (193.6mW)
5500-5700 MHz (100-140): 22.80 (190.5mW)
5745-5825 MHz (149-165): 13.97dBm (24.94mW)
5955-6415 MHz (1-93): 13.90dBm (24.54mW)
Naprava se v notranjih prostorih lahko uporablja samo, če deluje v frekvenčnem območju od 5150 MHz do 5350 MHz.

Varnostna opozorila

- Izdelek uporabljajte v okoljih s temperaturo med 0 °C in 40 °C.
- Preberite oznake na nalepki na dnu vašega izdelka in se prepričajte, da je napajalnik skladen z zahtevami, navedenimi na nalepki.
- Naprave NE postavljajte na neravne ali nestabilne delovne površine. V primeru poškodbe ohlaja poiščite pomoč servisa.
- Na napravo NE SMETE postavljati ali nanjo spuščati predmetov oz. vanjo potiskati kakršnega koli tipka.
- Naprave NE izpostavljajte oz. uporabljajte v bližini tekočin, dežja ali vlage. Moderna NE SMETE uporabljati med nevihtami.
- Prezračevalnim rež na izdelku NE SMETE pokriti zato, da se sistem ne pregreje.
- NE uporabljajte poškodovanih napajalnih kablov, dodatkov ali drugih zunanjih naprav.
- Če je napajalnik poškodovan, ga ne poskušajte popraviti sami. Stopite v stik z usposobljenim servisierjem ali prodajalcem.
- Če želite preprečiti nevarnost električnega sunka, pred prestavljanjem sistema odklopite napajalni kabel iz električne vtičnice.

Slovakian CE – Vyhlásenie o zhode

Zjednodušené vyhlásenie o zhode ES

Spoločnosť ASUSTek Computer Inc. týmto vyhlasuje, že toto zariadenie je v zhode s hlavnými požiadavkami a ostatnými príslušnými ustanoveniami smernice 2014/53/EU. Celý text vyhlásenia o zhode ES nájdete na adrese **https://www.asus.com/support/**.

Toto zariadenie vyhovuje európskym (EÚ) limitným hodnotám pre vystavenie žiareniu stanoveným pre nekontrolované prostredie. Toto zariadenie sa má inštalovať a prevádzkovať minimálne v 5 cm vzdialenosti medzi zariadením a telom. Všetky prevádzkové režimy:

2.4GHz: 802.11b, 802.11g, 802.11n (HT20), 802.11n (HT40)
5GHz: 802.11a, 802.11n (HT20), 802.11n (HT40), 802.11ac (VHT20), 802.11ac (VHT40), 802.11ac (VHT80)
6GHz: 802.11ax (HE20), 802.11ax (HE40), 802.11ax (HE80), 802.11ax (HE160)
Frekvencia, režim a maximálny prenosový výkon v EÚ sú uvedené nižšie:
2402-2480 MHz (BT LE/BT EDR): 13.93dBm (24.7mW)
2412-2472 MHz (1-13): OFDM: 19.89dBm (97.5mW); CCK: 17.71 dBm (59.0mW)
5180-5250 MHz (36-48): 22.82dBm (191.4mW)
5250-5320 MHz (52-64): 22.87 dBm (193.6mW)
5500-5700 MHz (100-140): 22.80 (190.5mW)
5745-5825 MHz (149-165): 13.97dBm (24.94mW)
5955-6415 MHz (1-93): 13.90dBm (24.54mW)
Používanie tohto zariadenia je obmedzené na používanie len v rámci frekvenčného rozsahu 5 150 až 5 350 MHz.

Bezpečnostné informácie

- Tento výrobok používajte v prostrediach s okolitou teplotou od 0°C (32°F) do 40°C (104°F).
- Pozrite si typový štítok na spodnej strane zariadenia a uistite sa, že napájaci adaptér vyhovuje tomuto menovitému typu.
- NEUMIESTŇUJTE na nerovné a nestabilné pracovné povrchy. V prípade poškodenia skrinky vyhľadajte pomoc servisného strediska.
- Na hornú stranu zariadenia NEUMIESTŇUJTE ani NENECHÁVAJTE žiadne predmety a nekladajte doň žiadne cudzie predmety.
- NEVYSTAVUJTE ani nepoužívajte v blízkosti kvapalín, v daždi alebo vlhkom prostredí. NEPOUŽÍVAJTE modem počas búrky s výskytom bleskov.
- Vetracie otvory na zariadení NEZAKRÝVAJTE, aby sa neprehrievalo.
- NEPOUŽÍVAJTE káble, príslušenstvo alebo periferne zariadenia, ktoré sú poškodené.
- Keď je zdroj napájania poškodený, nepokúšajte sa ho sami opravovať. Obráťte sa na kompetentného servisného technika alebo svojho predajcu.
- Pred premiestňovaním zariadenia odpojte sieťový kábel z elektrickej zásuvky, aby sa zabránilo riziku úrazu elektrickým prúdom.

Italian Dichiarazione di conformità CE

Dichiarazione di conformità UE semplificata

ASUSTek Computer Inc. con la presente dichiara che questo dispositivo è conforme ai requisiti essenziali e alle altre disposizioni pertinenti con la direttiva 2014/53/UE. Il testo completo della dichiarazione di conformità UE è disponibile all'indirizzo **https://www.asus.com/support/**.

Questo apparecchio è conforme ai limiti UE, per l'esposizione a radiazioni, stabiliti per un ambiente non controllato. Questo apparecchio deve essere installato e utilizzato ad una distanza di almeno 5 cm dal corpo.

Tutte le modalità operative:

2.4GHz: 802.11b, 802.11g, 802.11n (HT20), 802.11n (HT40)
5GHz: 802.11a, 802.11n (HT20), 802.11n (HT40), 802.11ac (VHT20), 802.11ac (VHT40), 802.11ac (VHT80)
6GHz: 802.11ax (HE20), 802.11ax (HE40), 802.11ax (HE80), 802.11ax (HE160)
I valori di frequenza, modalità e massima potenza di trasmissione per l'UE sono elencati di seguito:
2402-2480 MHz (BT LE/BT EDR): 13.93dBm (24.7mW)
2412-2472 MHz (1-13): OFDM: 19.89dBm (97.5mW); CCK: 17.71 dBm (59.0mW)
5180-5250 MHz (36-48): 22.82dBm (191.4mW)
5250-5320 MHz (52-64): 22.87 dBm (193.6mW)
5500-5700 MHz (100-140): 22.80 (190.5mW)
5745-5825 MHz (149-165): 13.97dBm (24.94mW)
5955-6415 MHz (1-93): 13.90dBm (24.54mW)
L'utilizzo di questo dispositivo è limitato agli ambienti interni quando si sta utilizzando la banda di frequenze compresa tra i 5150 e i 5350 MHz.

Comunicazioni sulla sicurezza

- Usa questo prodotto in ambienti la cui temperatura sia compresa tra 0°C(32°F) e 40°C(104°F).
- Consulta l'etichetta indicante la potenza posta sul fondo del prodotto e assicurarti che l'adattatore di alimentazione sia compatibile con tali valori.
- Non collocare il dispositivo su superfici irregolari o instabili. Contatta il servizio clienti se lo chassis è stato danneggiato.
- NON riporre oggetti sopra il dispositivo e non infilare alcun oggetto all'interno del dispositivo.
- NON esporre a liquidi, pioggia o umidità. NON usare il modem durante i temporali.
- NON coprire le prese d'aria del prodotto per evitare che il sistema si surriscaldi.
- NON utilizzare cavi di alimentazione, accessori o periferiche danneggiate.
- Se l'adattatore è danneggiato non provare a ripararlo. Contatta un tecnico qualificato o il rivenditore.
- Per prevenire il rischio di scosse elettriche scollega il cavo di alimentazione dalla presa di corrente prima di spostare il sistema.

Danish CE-erklæring

Forenklet EU-oversensstemmelseserklæringen

ASUSTek Computer Inc. erklærer herved, at denne enhed er i overensstemmelse med hovedkravene og øvrige relevante bestemmelser i direktiv 2014/53/UE. Hele EU-oversensstemmelseserklæringen kan findes på **https://www.asus.com/support/**.

Dette udstyr er i overensstemmelse med EU's grænser, der er gældende i et ukontrolleret miljø. Dette udstyr skal installeres

og bruges mindst 5 cm mellem radiatoren og din krop.

Alle driftsfunktioner:

2.4GHz: 802.11b, 802.11g, 802.11n (HT20), 802.11n (HT40)
5GHz: 802.11a, 802.11n (HT20), 802.11n (HT40), 802.11ac (VHT20), 802.11ac (VHT80), 802.11ac (VHT80)
6GHz: 802.11ax (HE20), 802.11ax (HE40), 802.11ax (HE80), 802.11ax (HE160)
Frekvensen, indstillingen og den maksimale overførte effekt i EU er anført på listen nedenfor:
2402-2480 MHz (BT LE/BT EDR): 13.93dBm (24.7mW)
2412-2472 MHz (1-13): OFDM: 19.89dBm (97.5mW); CCK: 17.71 dBm (59.0mW)
5180-5250 MHz (36-48): 22.82dBm (191.4mW)
5250-5320 MHz (52-64): 22.87 dBm (193.6mW)
5500-5700 MHz (100-140): 22.80 (190.5mW)
5745-5825 MHz (149-165): 13.97dBm (24.94mW)
5955-6415 MHz (1-93): 13.90dBm (24.54mW)

Denne enhed er begrænset til indendørs brug, hvis den bruges på frekvensområdet 5150-5350 MHz.

Sikkerhedsinformation

- Anvend produktet i omgivelser med temperaturer på mellem 0°C(32°F) og 40°C(104°F).
- Sørg for, at din strømadapter passer til strømopsvinger, der findes på bunden af dit produkt.
- Anbring IKKE på ujævne eller ustabile arbejdsoverflader. Send til reparation, hvis kabinettet er blevet beskadiget.
- Der må IKKE placeres eller tabes genstande på produktet. Og der må IKKE stikkes fremmedlegemer ind i produktet.
- Udsæt og brug den IKKE i nærheden af væsker, regn eller fugt. Brug IKKE modemedet under uvejir.
- Tildæk IKKE ventilationshullerne på produktet, da system eller kan overophede.
- Brug IKKE beskadigede el-ledninger, periferer enheder og beskadiget tilbehør.
- Hvis strømforsyningen går i stykker, må du ikke prøve på selv at reparere den. Kontakt en autoriseret servicetekniker eller forhandleren.
- For at undgå faren for elektrisk stad, skal du fjerne netledningen fra stikkontakten, inden du flytter systemet til et andet sted.

Dutch CE-verklaring

Vereenvoudigde EU-conformiteitsverklaring

ASUSTek Computer Inc. verklaart dat dit apparaat in overeenstemming is met de essentiële vereisten en andere relevante bepalingen van Richtlijn 2014/53/UE. Volledige tekst EU-conformiteitsverklaring is beschikbaar op **https://www.asus.com/support/**.

Deze apparatuur voldoet aan EU-limieten voor blootstelling aan straling als uiteengezet voor een onbebeerste omgeving. Deze apparatuur moet worden geïnstalleerd en bediend met een minimumafstand van 5 cm tussen de radiator en uw lichaam.

Alle bedrijfsmodi:

2.4GHz: 802.11b, 802.11g, 802.11n (HT20), 802.11n (HT40)
5GHz: 802.11a, 802.11n (HT20), 802.11n (HT40), 802.11ac (VHT20), 802.11ac (VHT40), 802.11ac (VHT80)
6GHz: 802.11ax (HE20), 802.11ax (HE40), 802.11ax (HE80), 802.11ax (HE160)

De frequentie, modus en het afgegeven maximumvermogen in de EU wordt hieronder vermeld:

2402-2480 MHz (BT LE/BT EDR): 13.93dBm (24.7mW)
2412-2472 MHz (1-13): OFDM: 19.89dBm (97.5mW); CCK: 17.71dBm (59.0mW)
5180-5250 MHz (36-48): 22.82dBm (191.4mW)
5250-5320 MHz (52-64): 22.87 dBm (193.6mW)
5500-5700 MHz (100-140): 22.80 (190.5mW)
5745-5825 MHz (149-165): 13.97dBm (24.94mW)
5955-6415 MHz (1-93): 13.90dBm (24.54mW)
Het apparaat is beperkt tot alleen binnengebruik bij werking in het frequentiebereik van 5150 tot 5350 MHz.

Veiligheidsinformatie

- Gebruik dit product in omgevingen met omgevingstemperaturen tussen 0°C (32°F) en 40°C (104°F).
- Raadpleeg het typeplaatje op de onderkant van uw product en controleer of uw voedingadapter voldoet aan dit type.
- NIET op oneegale of instabiele werkoppervlakken plaatsen. Als de behuizing beschadigd is geraakt, dient u hulp bij onderhoud hulp te zoeken.
- Plaats de laat GEEN objecten vallen bovenop het product en schuif geen vreemde objecten in het product.
- NIET in de buurt van vloeïstoffen, regen of vocht blootstellen of gebruiken. NIET de modem tijdens onweer gebruiken.
- Dek de uitlaatopeningen van het product NIET AF zodat het systeem niet oververhit raakt.
- NIET de ventilatieopeningen van de Desktop PC afdekken, om oververhitting van het systeem te voorkomen.
- Als de voeding is beschadigd, mag u niet proberen het zelf te repareren. Neem contact op met een bevoegde servicemonteur of uw handelaar.
- Verwijder, voordat u het systeem verplaatst, de stroomkabel uit de contactdoos om elektrische schok te vermijden.

French

Déclaration de la Communauté Européenne

Déclaration simplifiée de conformité de l'UE

ASUSTek Computer Inc. déclare par la présente que cet appareil est conforme aux critères essentiels et autres clauses pertinentes de la directive 2014/53/UE. La déclaration de conformité de l'UE peut être téléchargée à partir du site internet suivant: **https://www.asus.com/support/**.

Cet appareil a été testé et s'est avéré conforme aux limites établies par l'UE en terme d'exposition aux radiations dans un environnement non contrôlé. Cet équipement doit être installé et utilisé avec un minimum de 5 cm de distance entre la source de rayonnement et votre corps.

Tous les modes de fonctionnement:

2.4GHz: 802.11b, 802.11g, 802.11n (HT20), 802.11n (HT40)
5GHz: 802.11a, 802.11n (HT20), 802.11n (HT40), 802.11ac (VHT20), 802.11ac (VHT40), 802.11ac (VHT80)
6GHz: 802.11ax (HE20), 802.11ax (HE40), 802.11ax (HE80), 802.11ax (HE160)
La fréquence, le mode et la puissance maximale transmise de l'UE sont listés ci-dessous:
2402-2480 MHz (BT LE/BT EDR): 13.93dBm (24.7mW)
2412-2472 MHz (1-13): OFDM: 19.89dBm (97.5mW); CCK: 17.71dBm (59.0mW)
5180-5250 MHz (36-48): 22.82dBm (191.4mW)
5250-5320 MHz (52-64):