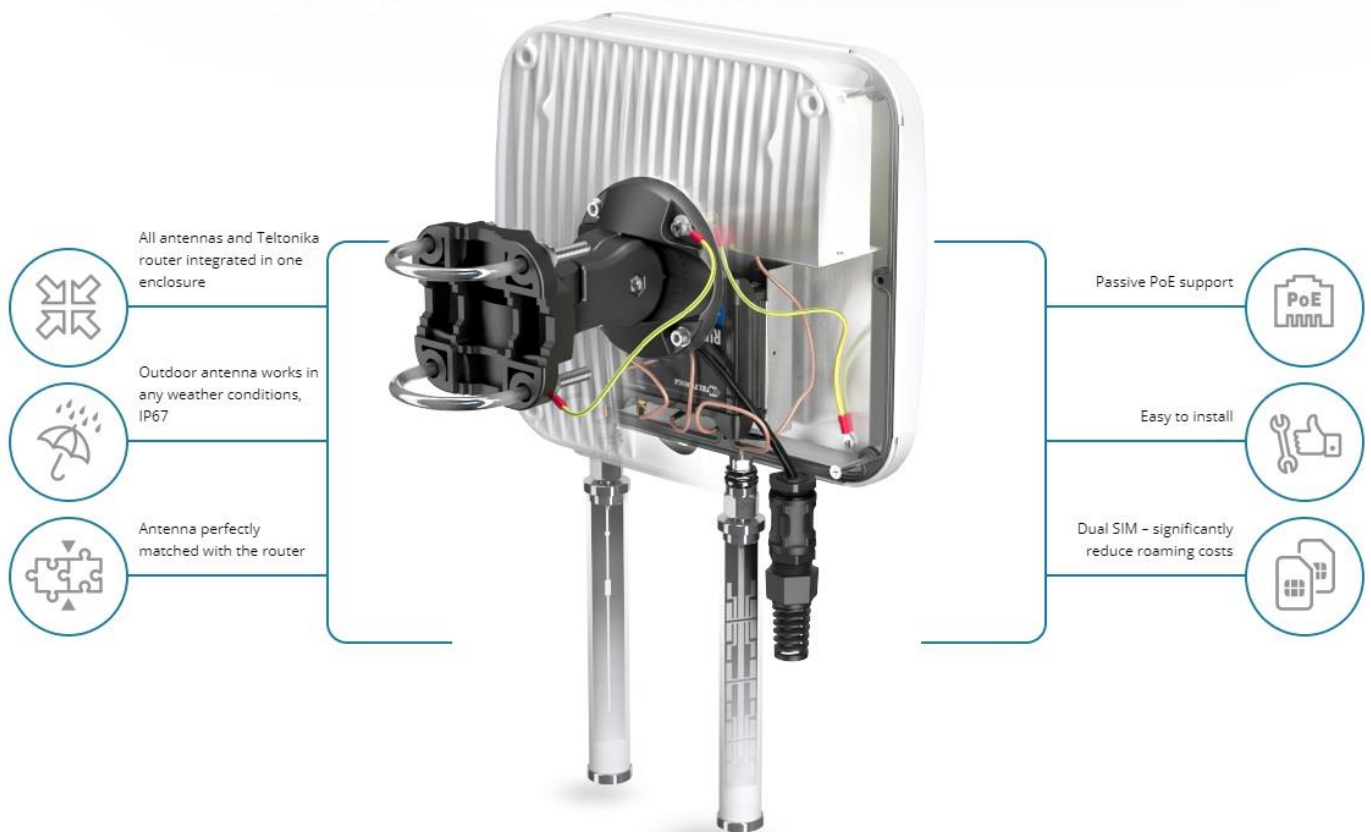


# QuMax for RUT900/950

**INTEGRATED OUTDOOR MULTI BAND HIGH POWER LTE DIRECTIONAL ANTENNA + OUTDOOR WI-FI OMNI ANTENNA + PLACE TO INSTALL TELTONIKA RUT950 OR 900 (ALL-IN-ONE)**

QuMAX offers the most powerful directional LTE antenna of all QuWireless antennas. It is dedicated to connections with long distance to base station. It is designed to have Teltonika RUT950 or RUT900 router installed inside IP67 enclosure. It is the first choice for fixed installations in industrial environment. It has embedded also outdoor Wi-Fi omni antennas.



## OUTDOOR

Use Teltonika router wherever you want

## ANTENNA

Maximize your signal with QuWireless antennas

## SOLUTION

Plug Teltonika router and you are good to go

**LTE SPECIFICATION**

FREQUENCY	0.694-0.96 GHz 1.7 - 2.2 GHz 2.2 - 2.7 GHz
GAIN	4 dBi 5 dBi 6 dBi
VSWR	<1.50, max <2.00 <1.30, max <1.60 <1.30, max <1.60
BEAMWIDTH	90°/90° +/- 30° 90°/90° +/- 30° 90°/90° +/- 30°
POLARIZATION	Vertical
IMPEDANCE	50 Ω

**WI-FI SPECIFICATION**

FREQUENCY	2.40-2.50 GHz 4.70 - 6.00 GHz
GAIN	6 dBi 7 dBi
VSWR	<1.70, max <2.00 <1.70, max <2.00
BEAMWIDTH	360°/25° +/- 5° 360°/25° +/- 5°
POLARIZATION	Vertical
IMPEDANCE	50 Ω

**MECHANICAL SPECIFICATION**

MATERIALS	ABS, aluminum, PTFE, Fiberglass
INGRESS PROTECTION	IP67
DIMENSIONS	272 x 276 x 96 mm 10.71 x 10.87 x 3.78 inch
WEIGHT	1.8 kg 3.97 lbs
OPERATING TEMPERATURE	From -40°C to 75°C From -40°F to 167°F

## DEVICE SPECIFICATION



Dual SIM 3G industrial cellular router with WiFi and multiple Ethernet interfaces. Highly secure and reliable

OpenWrt based router for most demanding low bandwidth applications where advanced networking functionality is needed.

[RUT900 Datasheet](#)

[RUT900 User Manual](#)

[RUT900 Quick Start Guide](#)



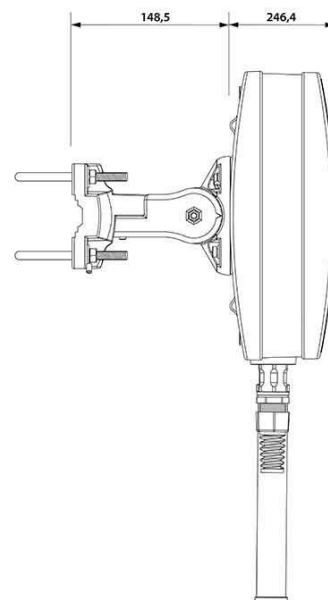
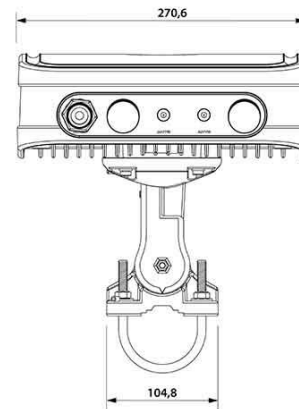
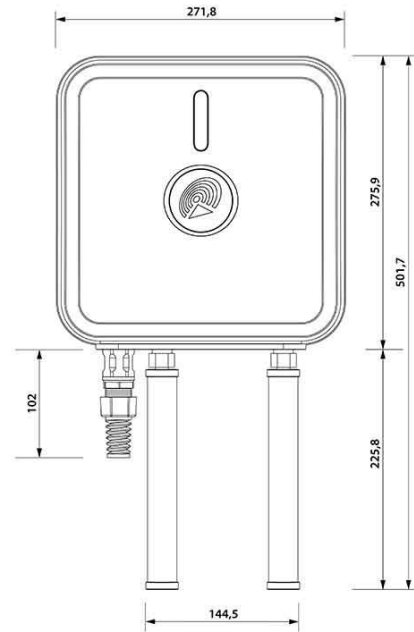
Rugged and durable professional 4G LTE Dual SIM cellular router with advanced WiFi, Ethernet and industrial grade networking functionality support. Quick to deploy, easy to manage and flexible for applications across most demanding market sectors.

[RUT950 Datasheet](#)

[RUT950 User Manual](#)

[RUT950 Quick Start Guide](#)

## DIMENSIONS



### HEADQUARTER:

Wireless Instruments sp. z o.o.

ul. Kościuszki 27

52-116 Iwiny

POLAND

[sales@quwireless.com](mailto:sales@quwireless.com)

tel 1. +48 601 366 369

tel 2. +48 577 667 761

[www.quwireless.com](http://www.quwireless.com)