

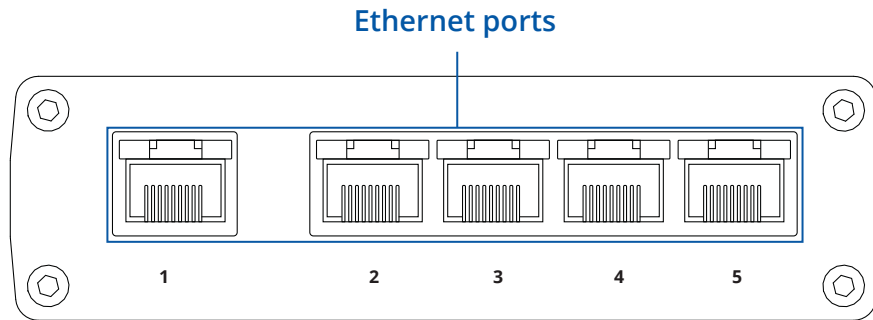


TSW110

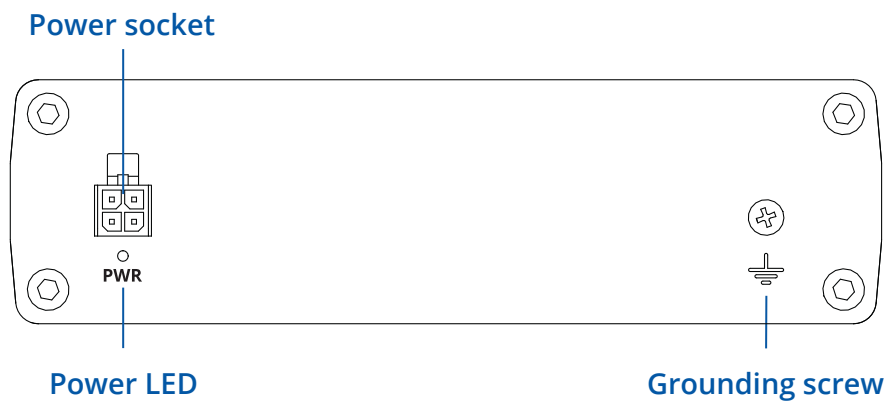


HARDWARE

FRONT VIEW

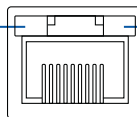


BACK VIEW



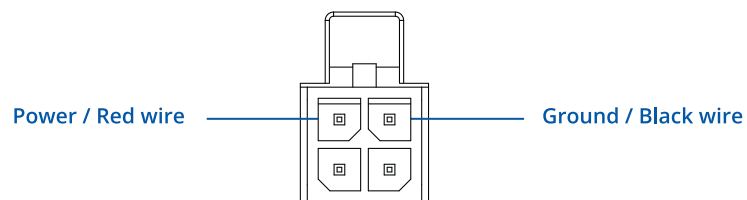
RJ45 LED MEANING

Orange LED on: link established
10/100/1000 Mbps
Orange LED blinking: active connection



Green LED on: link established
1000Mbps

POWER SOCKET PINOUT



FEATURES

ETHERNET

LAN	5 x LAN port, 10/100/1000 Mbps, compliance with IEEE 802.3, IEEE 802.3u, 802.3az standards, supports auto MDI/MDIX crossover
-----	--

PERFORMANCE SPECIFICATIONS

Bandwidth (Non-blocking)	10 Gbps
Packet buffer	128 KB
Jumbo frame support	9216 bytes
MAC address table size	2K entries
Connector	4 pin industrial DC power socket
Input voltage range	9 - 30 VDC, reverse polarity protection, voltage surge/transient protection
PoE (passive)	Passive PoE. Possibility to power up through LAN port, not compatible with IEEE802.3af, 802.3at and 802.3bt standards
Power consumption (idle/max)	< 0.4 W/ <1.8 W

PHYSICAL INTERFACES (PORTS, LEDS)

Ethernet	5 x RJ45 ports, 10/100/1000 Mbps
Status LEDs	1 x Power LED, 10 x LAN status LED's
Power	1 x 4 pin DC connector
Ground	1 x Grounding screw

PHYSICAL SPECIFICATION

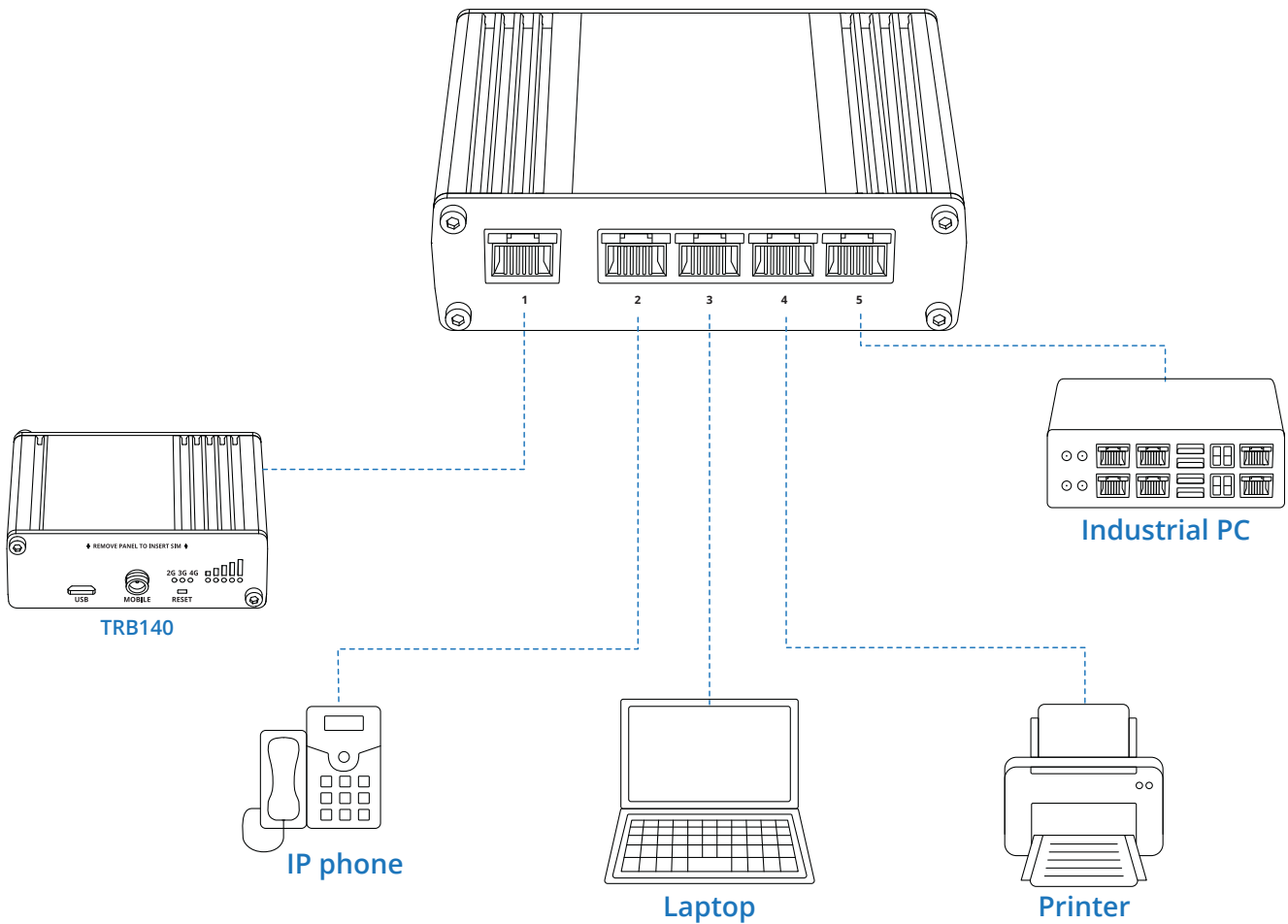
Casing material	Full aluminum housing
Dimensions (W x H x D)	100 x 30 x 85 mm
Weight	227 g
Mounting options	DIN rail or wall mounting (additional kit needed), flat surface placement

OPERATING ENVIRONMENT

Operating temperature	-40 C to 75 C
Operating humidity	10 % to 90 % non-condensing

HARDWARE INSTALLATION

1. Connect your main internet router/modem to TSW110 LAN port number 1.
2. Connect end devices (ex. Industrial PC, printers, IP phones, laptops) to TSW110 2 to 5 port.
3. Connect 4 pin power plug to TSW110 to power up switch.



TECHNICAL INFORMATION

Technical specifications	
Input voltage range	9 - 30 VDC
Max power consumption	<1.8 W
Bundled accessories specifications*	
Power adapter	Input: 0.4 A @100-240 VAC, Output: 9 VDC, 1 A, 4 pin plug

* Order code dependent.

WHAT'S IN THE BOX?

STANDARD PACKAGE CONTAINS

- TSW110
- 9 W Euro PSU
- QSG (Quick Start Guide)
- Packaging box



TSW110



9 W EURO PSU

STANDARD ORDER CODES

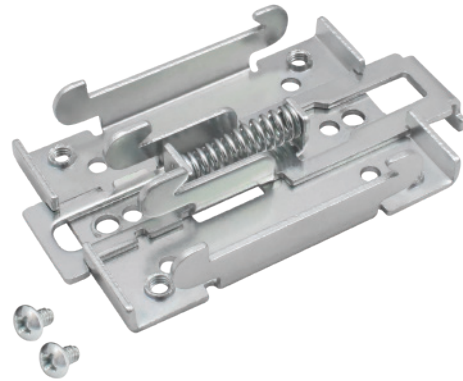
PRODUCT CODE	HS CODE	HTS CODE	PACKAGE CONTAINS
TSW110000000	851762	8517.62.00	Standard package

For more information on all available packaging options – please contact us directly.

MOUNTING OPTIONS

DIN RAIL KIT

Parameter	Value
Mounting standard	35mm DIN Rail
Material	Low carbon steel
Weight	57g
Screws included	Philips Pan Head screw #6-32×3/16, 2pcs
Dimensions	82 mm x 46 mm x 20 mm
RoHS Compliant	V



DIN RAIL KIT

- DIN Rail adapter
- Philips Pan Head screw #6-32×3/16, 2pcs for RUT2xx/RUT9xx

ORDER CODE	PRODUCT CODE	HS CODE	HTS CODE
088-00267	PR5MEC00	73269098	7326.90.98

For more information on all available packaging options – please contact us directly.

COMPACT DIN RAIL KIT

Parameter	Value
Mounting standard	35mm DIN Rail
Material	ABS + PC plastic
Weight	6.5 g
Screws included	Philips Pan Head screw #6-32×3/16, 2pcs
Dimensions	70 mm x 25 mm x 14,5 mm
RoHS Compliant	V



DIN RAIL KIT

- Compact plastic DIN Rail adapter (70x25x14,5mm)
- Philips Pan Head screw #6-32×3/16, 2pcs

ORDER CODE	PRODUCT CODE	HS CODE	HTS CODE
088-00270	PR5MEC11	73269098	7326.90.98

For more information on all available packaging options – please contact us directly.

SURFACE MOUNTING KIT

Parameter	Value
Mounting standard	Flat surface mount
Material	ABS + PC plastic
Weight	2x5 g
Screws included	Philips Pan Head screw #6-32×3/16, 2pcs
Dimensions	25 mm x 48 mm x 7.5 mm
RoHS Compliant	V



DIN RAIL KIT

- Surface mounting kit
- Philips Pan Head screw #6-32×3/16, 2pcs

ORDER CODE	PRODUCT CODE	HS CODE	HTS CODE
088-00281	PR5MEC12	73269098	7326.90.98

For more information on all available packaging options – please contact us directly.

TSW110 SPATIAL MEASUREMENTS & WEIGHT

MAIN MEASUREMENTS

W x H x D dimensions for TSW110:

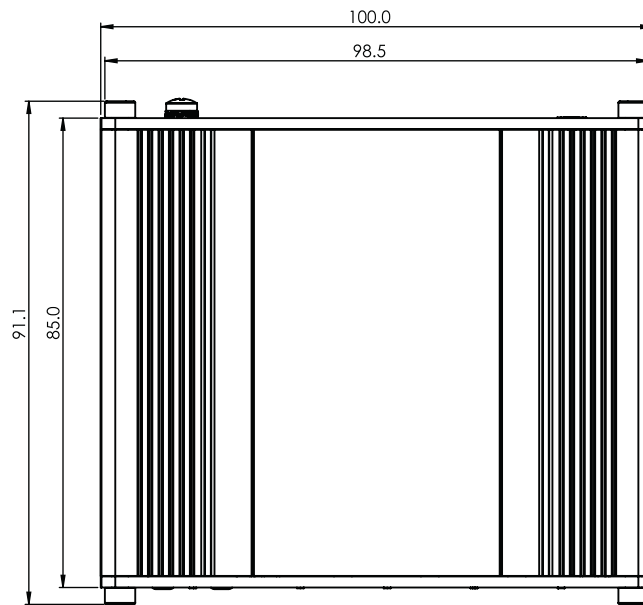
Device housing*: 100 x 30 x 85

Box: 173 x 71 x 148

*Housing measurements are presented without antenna connectors and screws; for measurements of other device elements look to the sections below.

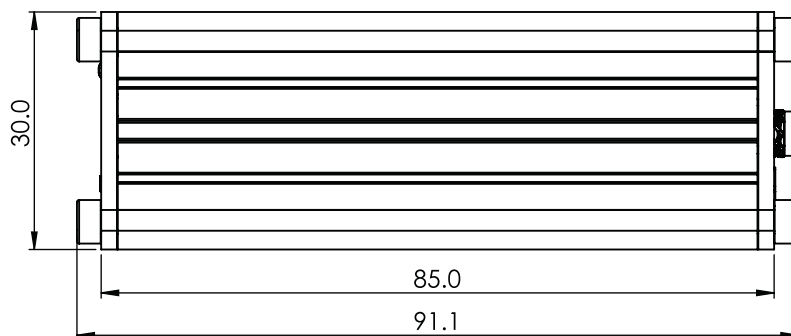
TOP VIEW

The figure below depicts the measurements of TSW110 and its components as seen from the top:



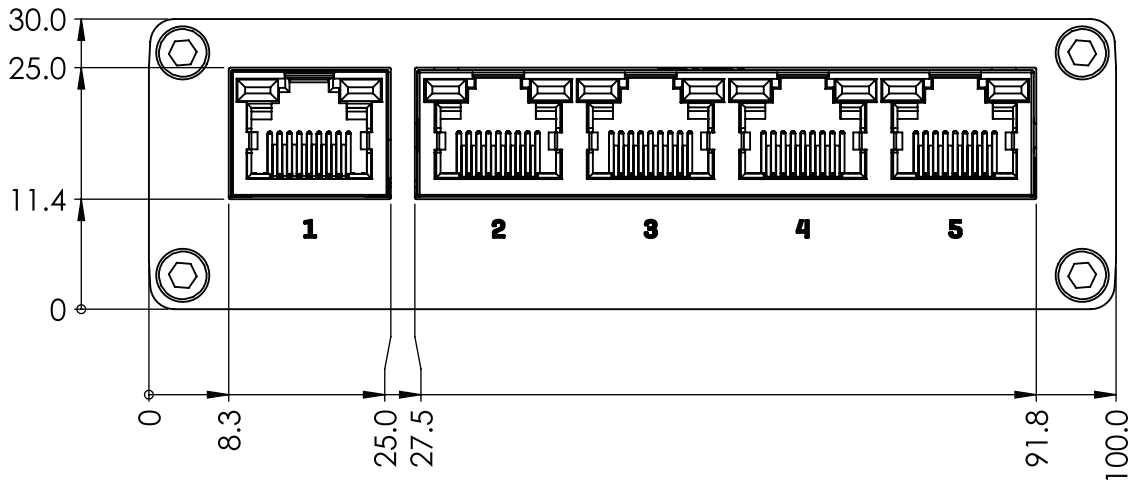
RIGHT VIEW

The figure below depicts the measurements of TSW110 and its components as seen from the right side:



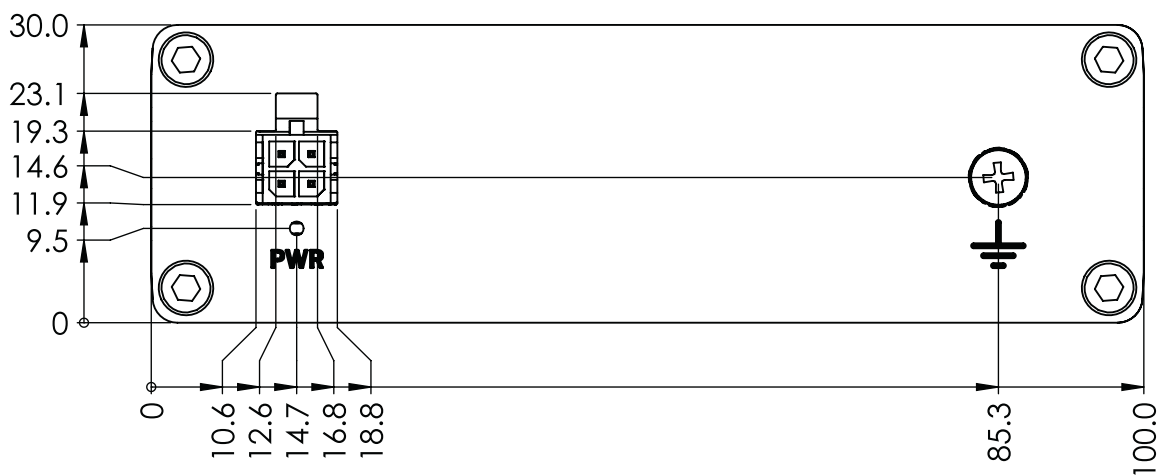
FRONT VIEW

The figure below depicts the measurements of TSW110 and its components as seen from the front panel side:



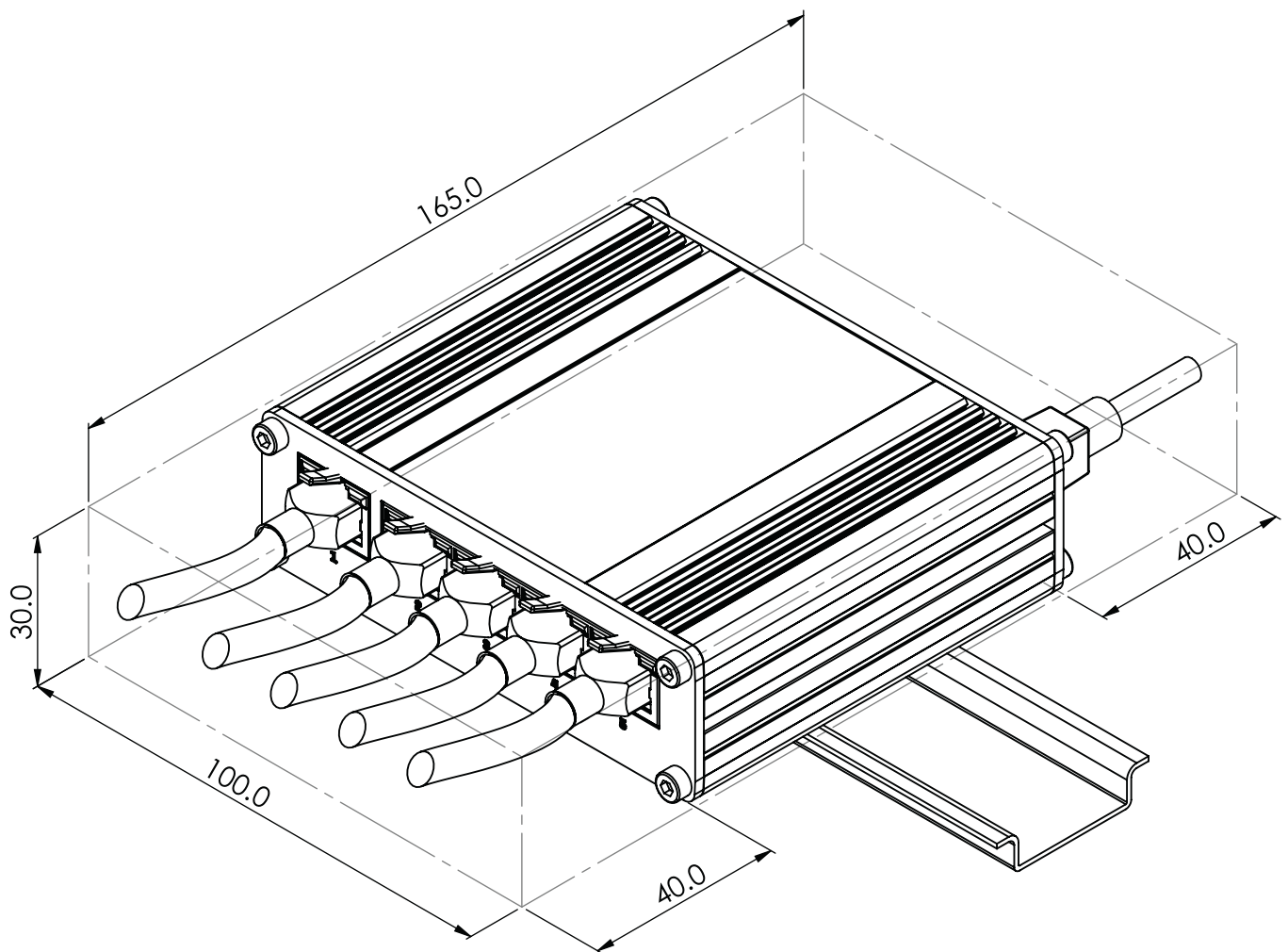
REAR VIEW

The figure below depicts the measurements of TSW110 and its components as seen from the back panel side:



MOUNTING SPACE REQUIREMENTS

The figure below depicts an approximation of the device's dimensions when cables and antennas are attached:



DIN RAIL

The scheme below depicts protrusion measurements of an attached DIN Rail:

